

FOX PACKAGING SERVICES

2024 CATALOGUE

SMART

THE



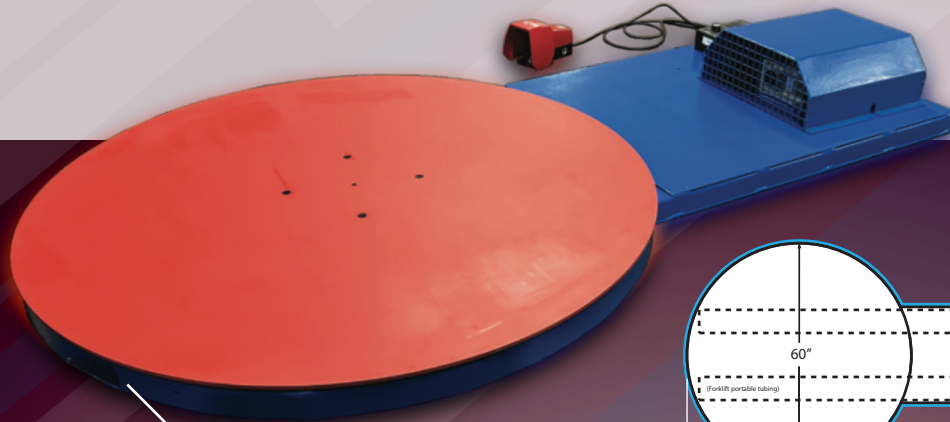
CHOICE

FPS

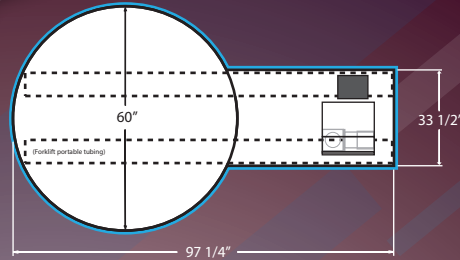
BUILDING HEAVY DUTY WRAPPERS TO MEET EVERY DAY NEEDS

FPS 1L

FOOT PEDAL CONTROLLED

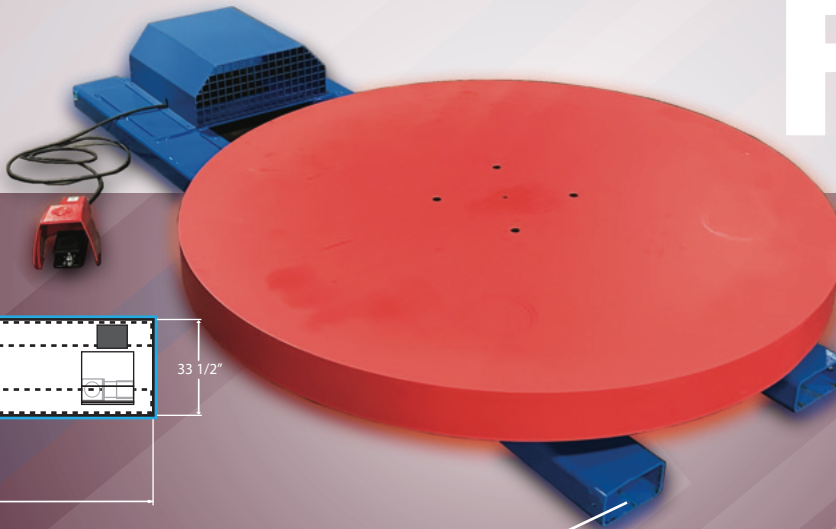


FORKLIFT PORTABLE FRONT AND REAR

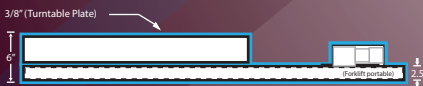
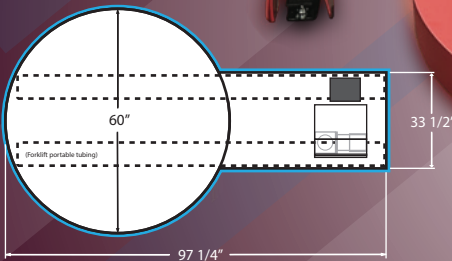


FPS 1H

FOOT PEDAL CONTROLLED



FORKLIFT PORTABLE FRONT AND REAR



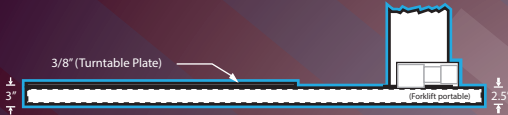
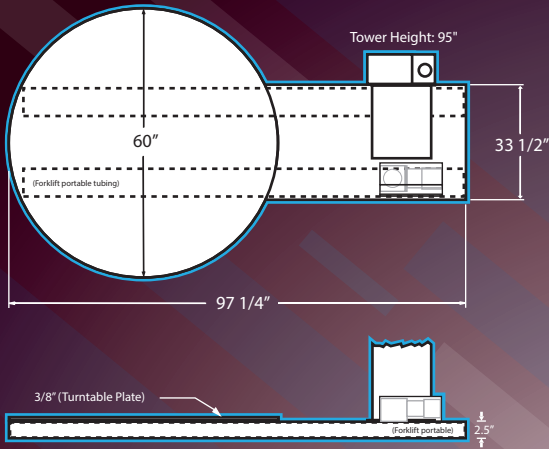
SPECIFICATIONS:

CONTROLS	•SOFT START/STOP VARIABLE SPEED DRIVE	OPTIONS
PRODUCTION SPEED	•1-25 LPH*	•LOADING RAMP (FPS 1L ONLY)
SUGGESTED LOAD SIZE	•55"L x 55"W x 84"H (80" Diagonal)	•COMBINATION RAMP (For powered hand trucks) (FPS 1L ONLY)
WEIGHT CAPACITY	•5000LBS	•SAFETY FENCING
STRUCTURAL	•WELDED STEEL CONSTRUCTION	•SAFETY LIGHT CURTAINS
TURNTABLE DRIVE	•1/2HP SCR DRIVE, 20:1 GEARBOX	
	•36 TABLE SUPPORT WHEELS (FPS 1L)	
	•4 HEAVY DUTY CASTERS (FPS 1H)	
TURNTABLE SPEED	•0-15RPM	
CARRIAGE DRIVE	•N/A	
FILM DELIVERY	•N/A	
FILM ROLL	•14-18" HAND FILM OR STRETCH FILM	
POWER REQ.	•115VAC, 15A, 60Hz- PLUG AND PLAY	
SAFETY	•FOOT PEDAL DEADMAN CONTROL	
	•SIMPLE ON/OFF SWITCH OR UNPLUG FOR EMERGENCY STOP	

*SUGGESTED LOADS PER HOUR- May vary depending on load sizes, loading/unloading speeds and number of wraps or wrapping pauses on load.

FPS 100

MANUAL LIFT CARRIAGE



COUNTER-WEIGHT BALANCED FOR EASY OPERATOR USE

SPECIFICATIONS:

FORKLIFT PORTABLE FRONT AND REAR

CONTROLS
PRODUCTION SPEED
LOAD SIZE
WEIGHT CAPACITY
STRUCTURAL
TURNTABLE DRIVE

TURNTABLE SPEED
CARRIAGE DRIVE
FILM DELIVERY

- SOFT START/STOP VARIABLE SPEED DRIVE
- 1-25 LPH*
- 55"L x 55"W x 84"H (80" Diagonal)
- 5000LBS
- WELDED STEEL CONSTRUCTION
- 1/2HP SCR DRIVE, 20:1 GEARBOX
- 36 TABLE SUPPORT WHEELS
- 0-15RPM
- 1/2HP SCR DRIVE, #50 ANSI CHAIN
- MANUAL LIFT CARRIAGE
- COUNTER WEIGHT BALANCED
- 14-18" HAND FILM
- 115VAC, 15A, 60Hz- PLUG AND PLAY

SAFETY

- NO PINCH POINTS
- NO MOVING FILM ROLLERS
- SIMPLE ON/OFF SWITCH FOR EMERGENCY STOP

OPTIONS

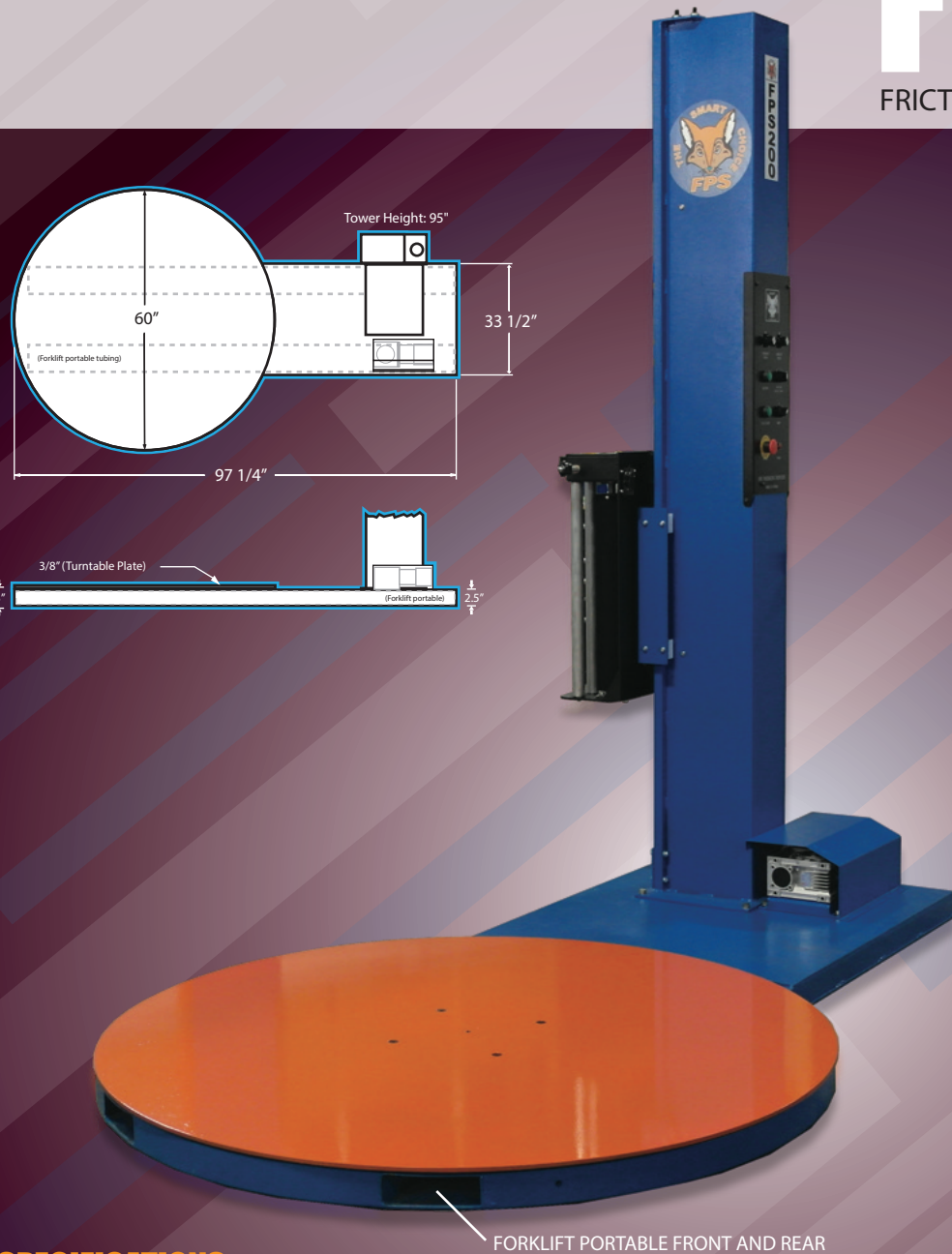
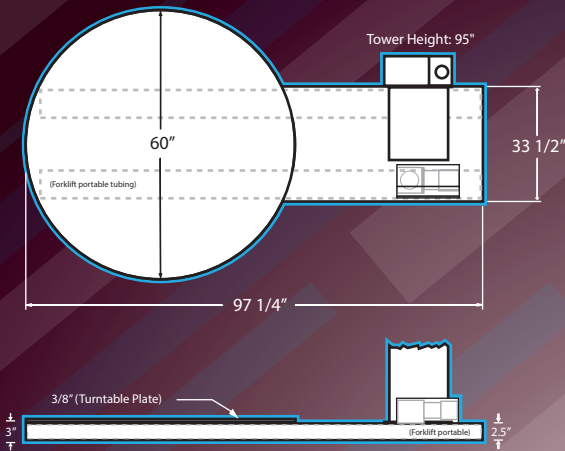
- LOADING RAMP
- COMBINATION RAMP (For powered hand trucks)
- SAFETY FENCING
- SAFETY LIGHT CURTAINS

FILM ROLL
POWER REQ.

*SUGGESTED LOADS PER HOUR- May vary depending on load sizes, loading/unloading speeds and number of wraps or wrapping pauses on load.

FPS 200

FRICION OR PRESTRETCH FILM CARRIAGE



FORKLIFT PORTABLE FRONT AND REAR



SPRING LOAD[©] DYNAMIC CARRIAGE HURRICANE[©] PRESTRETCH CARRIAGE



•SPRING LOADED FILM HOLDER ALLOWS FOR QUICK AND EASY FILM ROLL CHANGES

•ALLOWS UP TO 100% FILM STRETCH



•**OPTIONAL** HURRICANE PRESTRETCH FILM CARRIAGE DELIVERS UP TO 300% FILM STRETCH

•AUTO FILM CUT

•POWER DE-ENERGIZED WHEN CARRIAGE DOOR OPEN FOR OPERATOR SAFETY

•GREATER FILM SAVINGS

SPECIFICATIONS:

CONTROLS
PRODUCTION SPEED
LOAD SIZE
WEIGHT CAPACITY
STRUCTURAL
TURNTABLE DRIVE

TURNTABLE SPEED
CARRIAGE DRIVE

FILM DELIVERY

FILM ROLL
POWER REQ.

- PLC 4" TOUCH SCREEN CONTROLS
- 1-40 LPH*
- 55"L x 55"W x 90"H (80" Diagonal)
- 5000LBS
- WELDED STEEL CONSTRUCTION
- 1/2HP SCR DRIVE
- #50 ANSI CHAIN, 20:1 GEARBOX
- 36 TABLE SUPPORT WHEELS
- 0-15RPM
- 1/2HP SCR DRIVE
- #50 ANSI CHAIN, 60:1 GEARBOX
- STANDARD SPRING LOAD[©] DYNAMIC CARRIAGE WITH 100%+ TENSION STRETCH **OR UPGRADE TO** HURRICANE[©] PRESTRETCH FILM CARRIAGE
- 20" MACHINE FILM, 3" CORE
- 115VAC, 15A, 60Hz- PLUG AND PLAY

SAFETY

- FULLY GUARDED TOWER & MOVING PARTS
- NO PINCH: CARRIAGE ROLLERS- ROTATE OUTWARD
- EMERGENCY STOP BUTTON

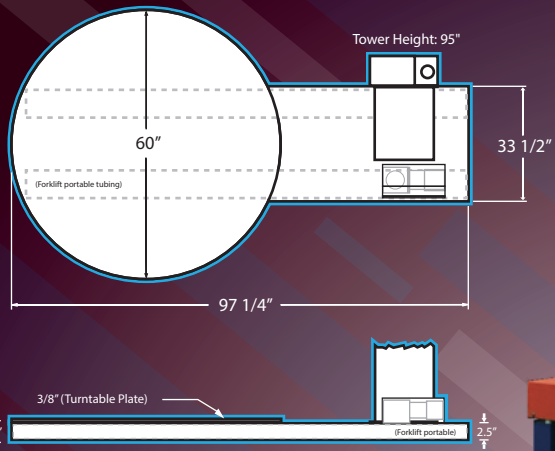
OPTIONS

- PRESTRETCH FILM CARRIAGE
- BASE EXTENSION
- LOADING RAMP
- COMBINATION RAMP (For powered hand trucks)
- INTEGRATED SCALE PACKAGE
- SAFETY FENCING
- SAFETY LIGHT CURTAINS

*SUGGESTED LOADS PER HOUR- May vary depending on load sizes, loading/unloading speeds and number of wraps or wrapping pauses on load.

FPS 300

HURRICANE THREAD® PRESTRETCH CARRIAGE



CUT PROOF
COATED PRESTRETCH
ROLLERS

FORKLIFT PORTABLE FRONT AND REAR



POWER DE-ENERGIZED
WHEN CARRIAGE DOOR OPEN



7" FULL COLOR TOUCH SCREEN

SPECIFICATIONS:

CONTROLS

PRODUCTION SPEED

LOAD SIZE

WEIGHT CAPACITY

STRUCTURAL

TURNTABLE DRIVE

TURNTABLE SPEED

CARRIAGE DRIVE

FILM DELIVERY

FILM ROLL

POWER REQ.

- FULL COLOR 7" PLC TOUCH SCREEN CONTROLS
- 1-40 LPH*
- 55"L x 55"W x 90"H (80" Diagonal)
- 5000LBS
- WELDED STEEL CONSTRUCTION
- 3/4HP AC MOTOR & DELTA 1HP VFD DRIVE
- #50 ANSI CHAIN, 20:1 GEARBOX
- 36 TABLE SUPPORT WHEELS
- 0-15RPM
- 3/4HP AC MOTOR & DELTA 1HP VFD DRIVE
- #50 ANSI CHAIN, 60:1 GEARBOX
- HURRICANE THREAD® PRESTRETCH CARRIAGE
- 200% FACTORY SET PRESTRETCH
- 50-250% STRETCH AVAILABLE ON REQUEST
- 20" MACHINE FILM, 3" CORE
- 115VAC, 15A, 60Hz- PLUG AND PLAY

SAFETY

ONBOARD PROGRAMS

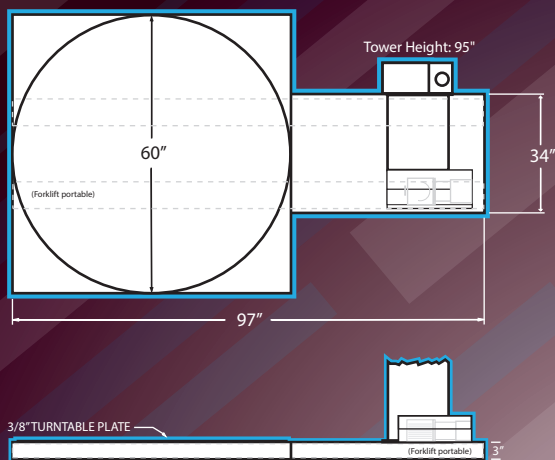
OPTIONS

- SAFEGUARD FULLY GUARDED TOWER & MOVING PARTS
- NO PINCH: CARRIAGE DE-ENERGIZED WHEN DOOR OPEN
- EMERGENCY STOP BUTTON
- STANDARD WRAP CYCLE
- STANDARD W/TOP COVER PAUSE
- BOTTOM WRAPS FIRST
- WRAP UPWARDS ONLY
- HEIGHT/BASE EXTENSION
- LOADING RAMP
- COMBINATION RAMP (For powered hand trucks)
- INTEGRATED SCALE PACKAGE
- SAFETY FENCING
- SAFETY LIGHT CURTAINS

*SUGGESTED LOADS PER HOUR- May vary depending on load sizes, loading/unloading speeds and number of wraps or wrapping pauses on load.

FPS 400L

FULLY SKIRTED LOW PROFILE

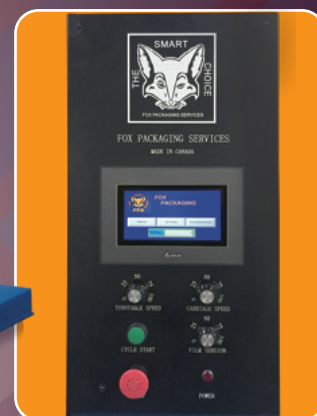


CUT PROOF
COATED PRESTRETCH
ROLLERS

FORKLIFT PORTABLE FRONT AND REAR



POWER DE-ENERGIZED
WHEN CARRIAGE DOOR OPEN



7" FULL COLOR TOUCH SCREEN

SPECIFICATIONS:

CONTROLS

PRODUCTION SPEED

LOAD SIZE

WEIGHT CAPACITY

STRUCTURAL

TURNTABLE DRIVE

TURNTABLE SPEED

CARRIAGE DRIVE

FILM DELIVERY

FILM ROLL

POWER REQ.

- FULL COLOR 7" PLC TOUCH SCREEN
- 1-40 LPH*
- 55"L x 55"W x 90"H (80" Diagonal)
- 5000LBS OR **UPGRADE TO 6500LBS**
- FULL SKIRT WELDED STEEL CONSTRUCTION
- 3/4HP AC MOTOR & DELTA 1HP VFD DRIVE
- #50 ANSI CHAIN, 20:1 GEARBOX
- 40 TABLE SUPPORT WHEELS
- 0-15RPM
- 3/4HP AC MOTOR & DELTA 1HP VFD DRIVE
- #50 ANSI CHAIN, 60:1 GEARBOX
- HURRICANE THREAD® PRESTRETCH CARRIAGE
- 200% FACTORY SET PRESTRETCH
- 50-250% STRETCH AVAILABLE ON REQUEST
- 20" MACHINE FILM, 3" CORE
- 115VAC, 15A, 60Hz- PLUG AND PLAY

SAFETY

ONBOARD PROGRAMS

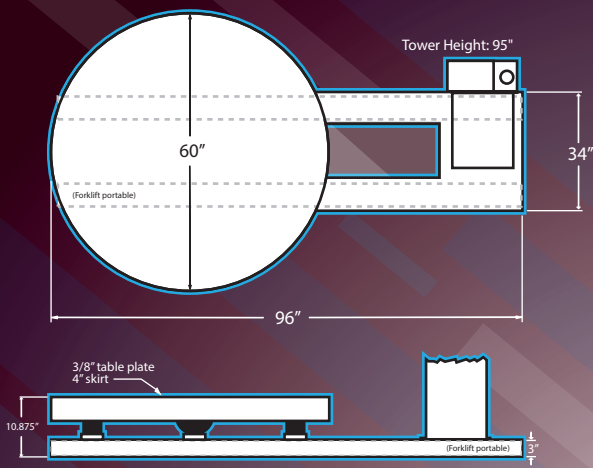
OPTIONS

- FULLY GUARDED TOWER & MOVING PARTS
- NO PINCH: CARRIAGE DE-ENERGIZED WHEN DOOR OPEN
- EMERGENCY STOP BUTTON
- STANDARD WRAP CYCLE
- STANDARD W/TOP COVER PAUSE
- BOTTOM WRAPS FIRST
- WRAP UPWARDS ONLY
- HEIGHT/BASE EXTENSION
- LOADING RAMP
- HEAVY DUTY EXTENDED RAMP (For powered hand trucks)
- INTEGRATED SCALE PACKAGE
- DUAL TURNTABLE (400LDT)
- SAFETY FENCING/LIGHT CURTAINS

*SUGGESTED LOADS PER HOUR- May vary depending on load sizes, loading/unloading speeds and number of wraps or wrapping pauses on load.

FPS 400H

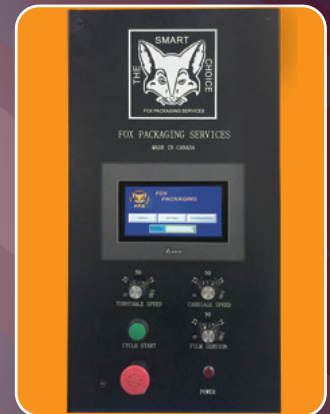
HIGH PROFILE



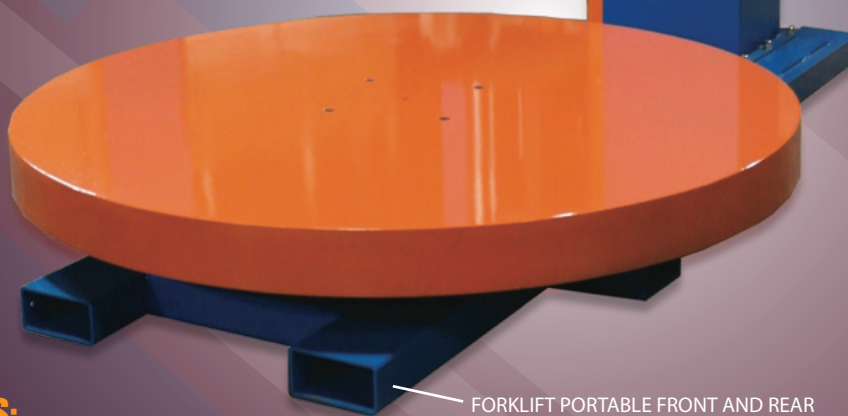
CUT PROOF
COATED PRESTRETCH
ROLLERS



POWER DE-ENERGIZED
WHEN CARRIAGE DOOR OPEN



7" FULL COLOR TOUCH SCREEN



SPECIFICATIONS:

CONTROLS

PRODUCTION SPEED

LOAD SIZE

WEIGHT CAPACITY

STRUCTURAL

TURNTABLE DRIVE

TURNTABLE SPEED

CARRIAGE DRIVE

FILM DELIVERY

FILM ROLL

POWER REQ.

•FULL COLOR 7" PLC TOUCH SCREEN

•1-40 LPH*

•55"L x 55"W x 90"H (80" Diagonal)

•5000LBS

•WELDED STEEL CONSTRUCTION

•3/4HP AC MOTOR & DELTA 1HP VFD DRIVE

•#50 ANSI CHAIN, 20:1 GEARBOX

•4 HEAVY DUTY CASTERS

•0-15RPM

•3/4HP AC MOTOR & DELTA 1HP VFD DRIVE

•#50 ANSI CHAIN, 60:1 GEARBOX

•HURRICANE THREAD® PRESTRETCH CARRIAGE

•200% FACTORY SET PRESTRETCH

•50-250% STRETCH AVAILABLE ON REQUEST

•20" MACHINE FILM, 3" CORE

•115VAC, 15A, 60Hz- PLUG AND PLAY

SAFETY

ONBOARD PROGRAMS

OPTIONS

•FULLY GUARDED

TOWER & MOVING PARTS

•NO PINCH: CARRIAGE DE-

ENERGIZED WHEN DOOR OPEN

•EMERGENCY STOP BUTTON

•STANDARD WRAP CYCLE

•STANDARD W/TOP COVER PAUSE

•BOTTOM WRAPS FIRST

•WRAP UPWARDS ONLY

•HEIGHT/BASE EXTENSION

•INTEGRATED SCALE PACKAGE

•DUAL TURNTABLE (400HDT)

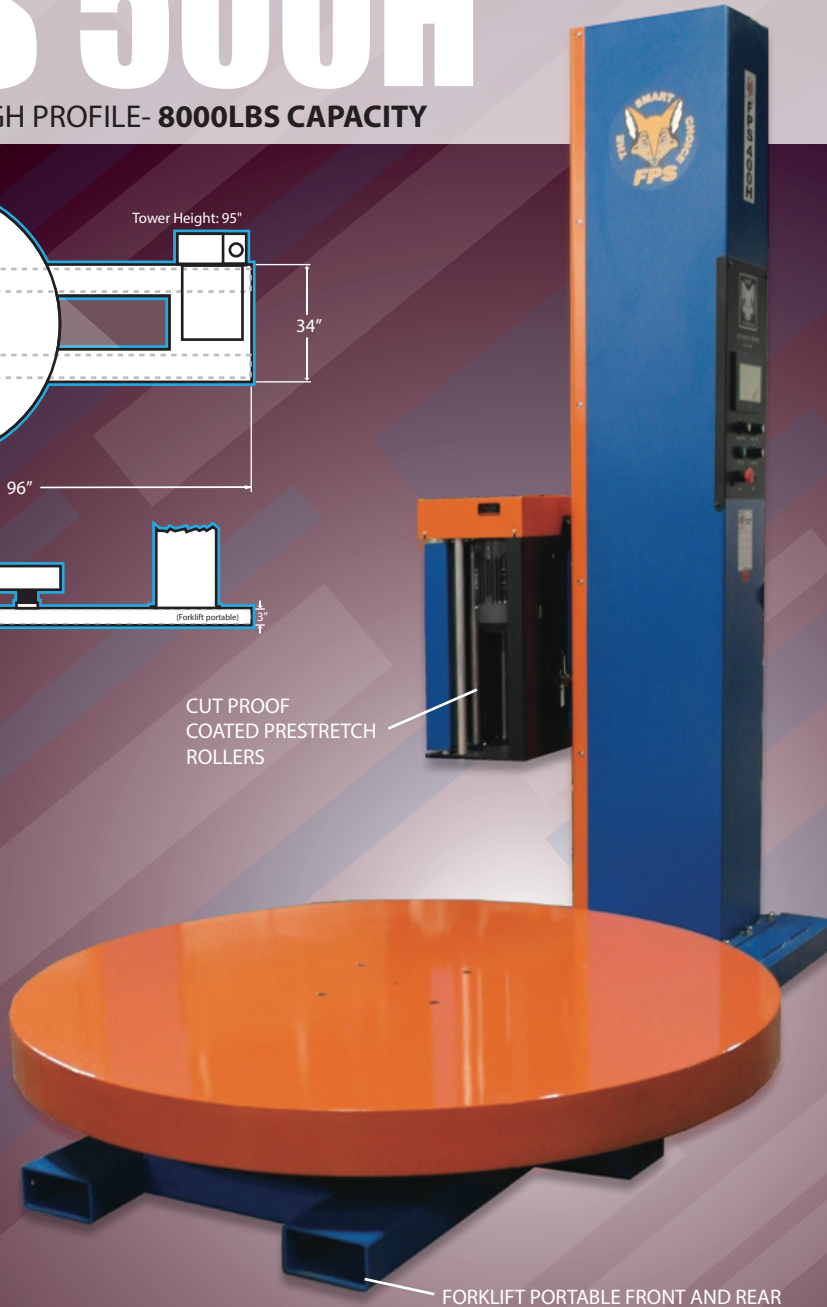
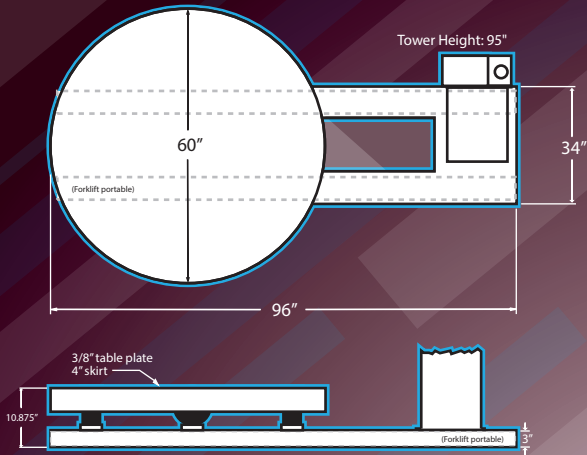
•SAFETY FENCING

•SAFETY LIGHT CURTAINS

•SPLIT BASE (FOR OVERSIZED
LOADS)

FPS 500H

HEAVY DUTY HIGH PROFILE- **8000LBS CAPACITY**



POWER DE-ENERGIZED WHEN CARRIAGE DOOR OPEN



7" FULL COLOR TOUCH SCREEN

SPECIFICATIONS:

CONTROLS
PRODUCTION SPEED
LOAD SIZE
WEIGHT CAPACITY
STRUCTURAL
TURNTABLE DRIVE

TURNTABLE SPEED
CARRIAGE DRIVE

FILM DELIVERY

FILM ROLL
POWER REQ.

- FULL COLOR 7" PLC TOUCH SCREEN
- 1-55 LPH*
- 55"L x 55"W x 82"H (80" Diagonal)
- **8000LBS**
- WELDED STEEL CONSTRUCTION
- 3/4HP AC MOTOR & DELTA 1HP VFD DRIVE
- #50 ANSI CHAIN, 20:1 GEARBOX
- DIRECT DRIVE RING & PINION BEARING
- 4 HEAVY DUTY SWIVEL CASTERS
- 0-15RPM
- 3/4HP AC MOTOR & DELTA 1HP VFD DRIVE
- #50 ANSI CHAIN, 60:1 GEARBOX
- HURRICANE THREAD® PRESTRETCH CARRIAGE
- 200% FACTORY SET PRESTRETCH
- 50-250% STRETCH AVAILABLE ON REQUEST
- 20" MACHINE FILM, 3" CORE
- 115VAC, 15A, 60Hz- PLUG AND PLAY

SAFETY

ONBOARD PROGRAMS

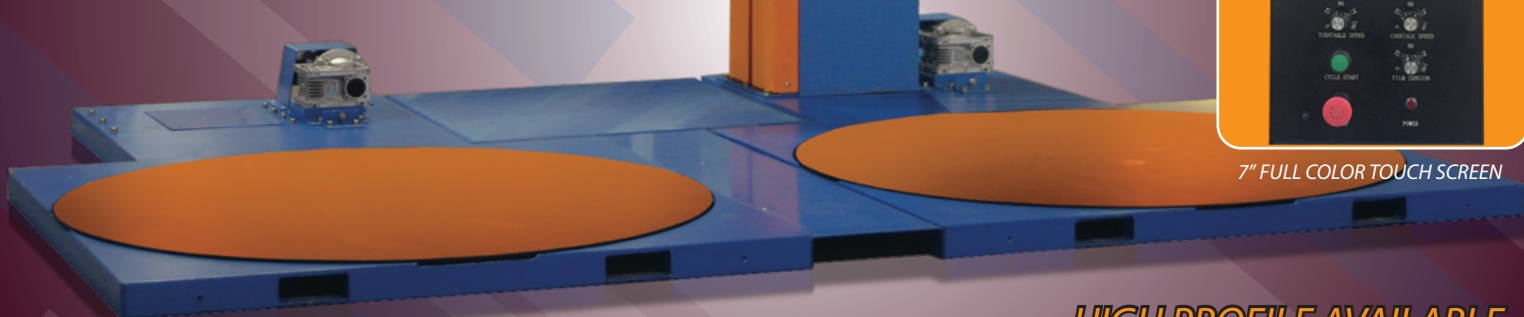
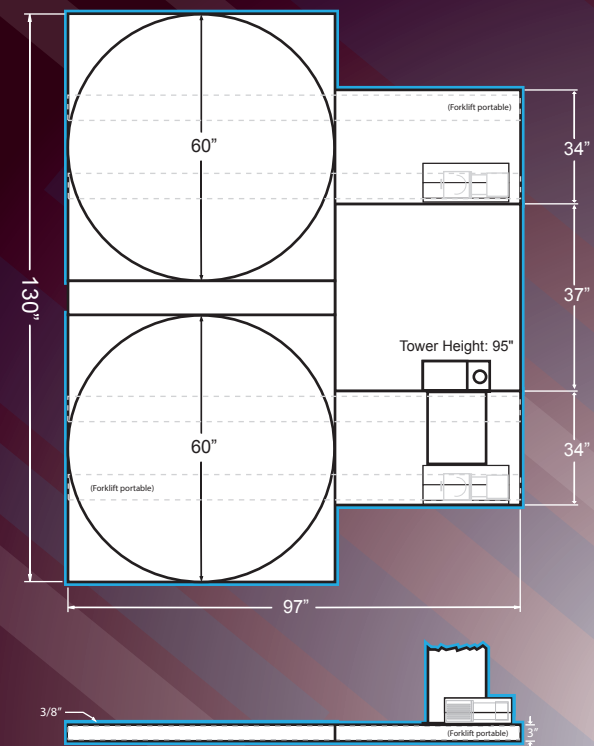
OPTIONS

- FULLY GUARDED TOWER & MOVING PARTS
- NO PINCH: CARRIAGE DE-ENERGIZED WHEN DOOR OPEN
- EMERGENCY STOP BUTTON
- STANDARD WRAP CYCLE
- STANDARD W/TOP COVER PAUSE
- BOTTOM WRAPS FIRST
- WRAP UPWARDS ONLY
- HEIGHT/BASE EXTENSION
- INTEGRATED SCALE PACKAGE
- DUAL TURNTABLE (500HDT)
- SAFETY FENCING
- SAFETY LIGHT CURTAINS
- SPLIT BASE (FOR OVERSIZED LOADS)

*SUGGESTED LOADS PER HOUR- May vary depending on load sizes, loading/unloading speeds and number of wraps or wrapping pauses on load.

FPS 400LDT

DUAL TURNTABLE SEMI AUTOMATIC



POWER DE-ENERGIZED WHEN CARRIAGE DOOR OPEN



7" FULL COLOR TOUCH SCREEN

**HIGH PROFILE AVAILABLE
400HDT**

SPECIFICATIONS:

CONTROLS

PRODUCTION SPEED

LOAD SIZE

WEIGHT CAPACITY

STRUCTURAL

TURNTABLE DRIVE

TURNTABLE SPEED

CARRIAGE DRIVE

FILM DELIVERY

FILM ROLL

POWER REQ.

- FULL COLOR 7" PLC TOUCH SCREEN
- 1-40 LPH*
- 55"L x 55"W x 90"H (80" Diagonal)
- 5000LBS OR **UPGRADE TO 6500LBS**
- FULL SKIRT WELDED STEEL CONSTRUCTION
- 3/4HP AC MOTOR & DELTA 1HP VFD DRIVE
- #50 ANSI CHAIN, 20:1 GEARBOX
- 40 TABLE SUPPORT WHEELS
- 0-15RPM
- 3/4HP AC MOTOR & DELTA 1HP VFD DRIVE
- #50 ANSI CHAIN, 60:1 GEARBOX
- HURRICANE THREAD® PRESTRETCH CARRIAGE
- 200% FACTORY SET PRESTRETCH
- 50-250% STRETCH AVAILABLE ON REQUEST
- 20" MACHINE FILM, 3" CORE
- 115VAC, 15A, 60Hz- PLUG AND PLAY

SAFETY

ONBOARD PROGRAMS

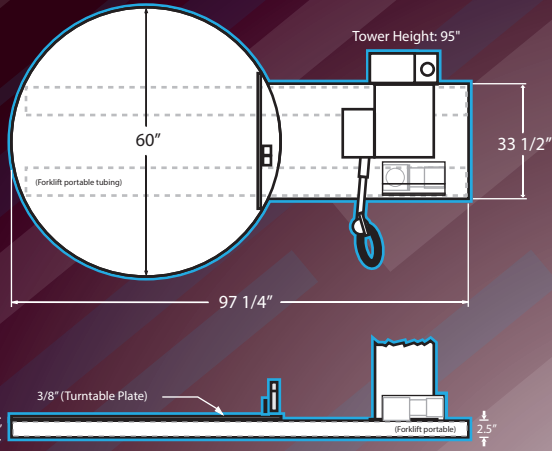
OPTIONS

- FULLY GUARDED TOWER & MOVING PARTS
- NO PINCH: CARRIAGE DE-ENERGIZED WHEN DOOR OPEN
- EMERGENCY STOP BUTTON
- STANDARD WRAP CYCLE
- STANDARD W/TOP COVER PAUSE
- BOTTOM WRAPS FIRST
- WRAP UPWARDS ONLY
- HEIGHT/BASE EXTENSION
- LOADING RAMP
- HEAVY DUTY EXTENDED RAMP (For powered hand trucks)
- INTEGRATED SCALE PACKAGE
- SAFETY FENCING
- SAFETY LIGHT CURTAINS

*SUGGESTED LOADS PER HOUR- May vary depending on load sizes, loading/unloading speeds and number of wraps or wrapping pauses on load.

FPS 300PA

PORTABLE AUTOMATIC-LOW PROFILE



CUT PROOF COATED PRESTRETCH ROLLERS

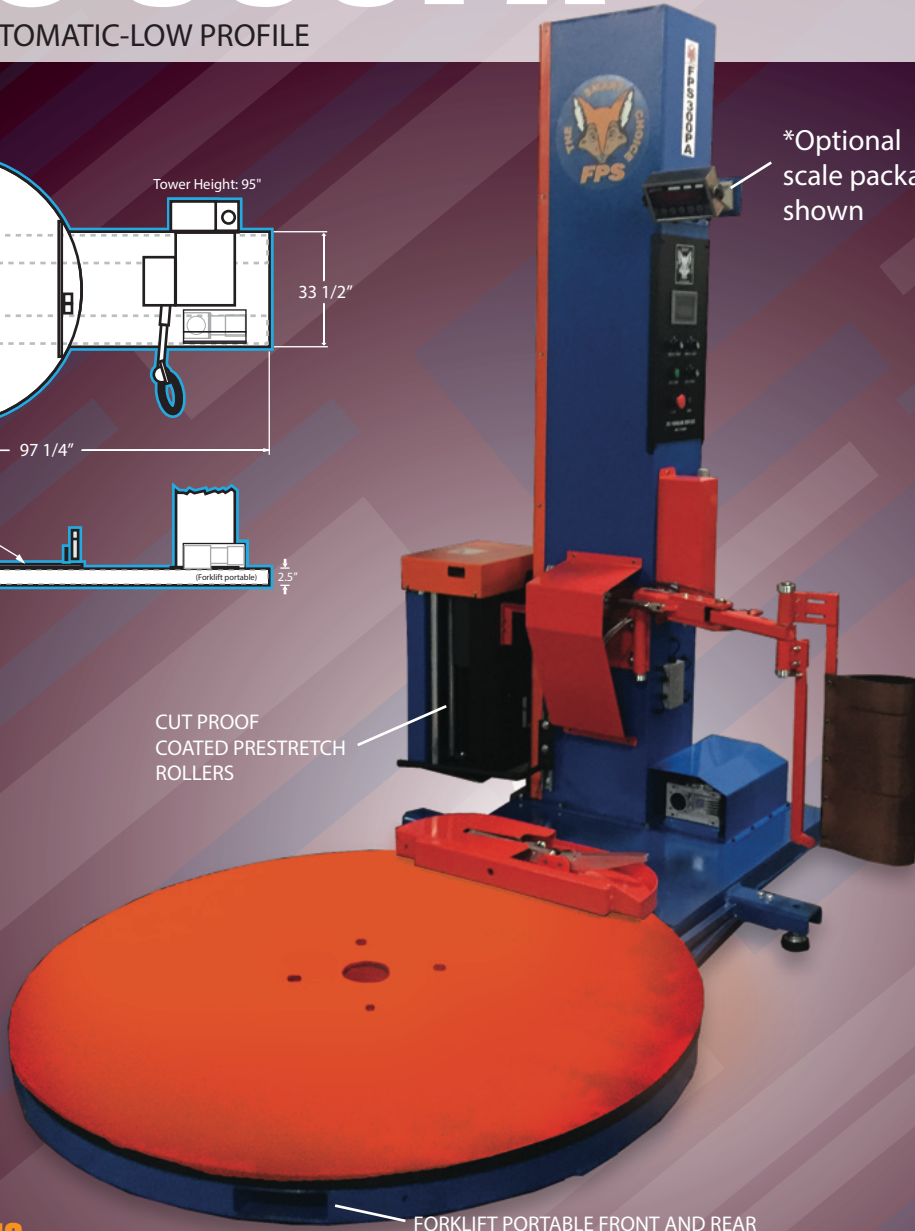
*Optional scale package shown



POWER DE-ENERGIZED WHEN CARRIAGE DOOR OPEN



7" FULL COLOR TOUCH SCREEN



FORKLIFT PORTABLE FRONT AND REAR

SPECIFICATIONS:

CONTROLS

PRODUCTION SPEED

LOAD SIZE

WEIGHT CAPACITY

STRUCTURAL

TURNTABLE DRIVE

TURNTABLE SPEED

CARRIAGE DRIVE

FILM DELIVERY

FILM ROLL

POWER REQ.

- FULL COLOR 7" PLC TOUCH SCREEN CONTROLS
- 1-40 LPH*
- 55"L x 55"W x 90"H (80" Diagonal)
- 5000LBS
- WELDED STEEL CONSTRUCTION
- 3/4HP AC MOTOR & DELTA 1HP VFD DRIVE
- #50 ANSI CHAIN, 20:1 GEARBOX
- 36 TABLE SUPPORT WHEELS
- 0-15RPM
- 3/4HP AC MOTOR & DELTA 1HP VFD DRIVE
- #50 ANSI CHAIN, 60:1 GEARBOX
- HURRICANE THREAD® PRESTRETCH CARRIAGE
- 200% FACTORY SET PRESTRETCH
- 50-250% STRETCH AVAILABLE ON REQUEST
- 20" MACHINE FILM, 3" CORE
- 115VAC, 15A, 60Hz- PLUG AND PLAY

SAFETY

ONBOARD PROGRAMS

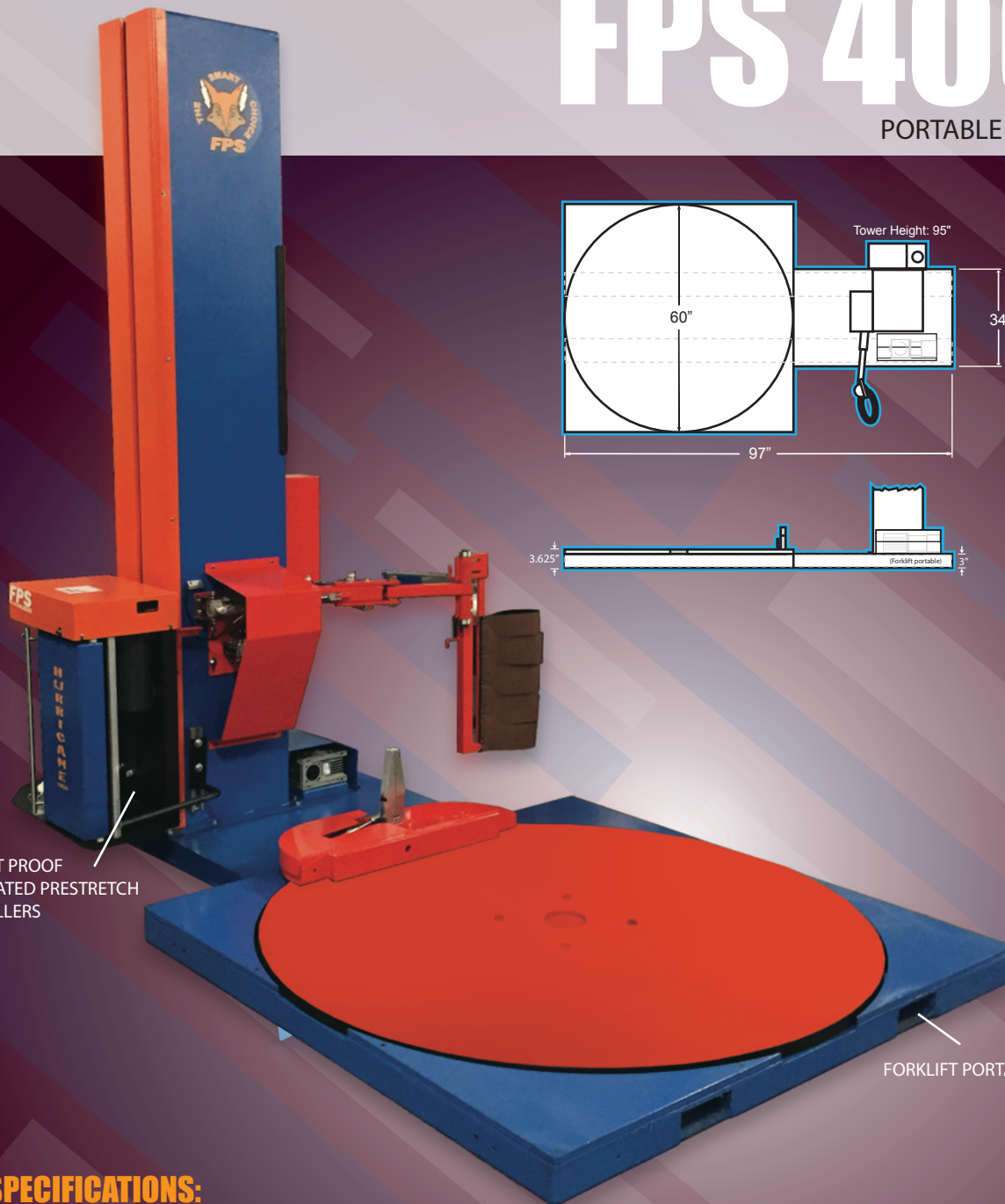
OPTIONS

- SAFEGUARD FULLY GUARDED TOWER & MOVING PARTS
- NO PINCH: CARRIAGE DE-ENERGIZED WHEN DOOR OPEN
- EMERGENCY STOP BUTTON
- STANDARD WRAP CYCLE
- STANDARD W/TOP COVER PAUSE
- BOTTOM WRAPS FIRST
- WRAP UPWARDS ONLY
- HEIGHT/BASE EXTENSION
- LOADING RAMP
- COMBINATION RAMP (For powered hand trucks)
- INTEGRATED SCALE PACKAGE
- SAFETY FENCING
- SAFETY LIGHT CURTAINS

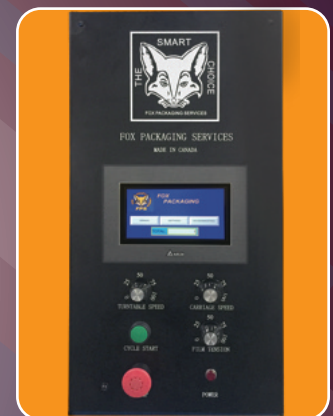
*SUGGESTED LOADS PER HOUR- May vary depending on load sizes, loading/unloading speeds and number of wraps or wrapping pauses on load.

FPS 400LPA

PORTABLE AUTOMATIC-LOW PROFILE



POWER DE-ENERGIZED
WHEN CARRIAGE DOOR OPEN



7" FULL COLOR TOUCH SCREEN

SPECIFICATIONS:

CONTROLS

- FULL COLOR 7" PLC TOUCH SCREEN
- REMOTE CONTROL START

PRODUCTION SPEED

- 1-40 LPH*

LOAD SIZE

- 55"L x 55"W x 90"H (80" Diagonal)

WEIGHT CAPACITY

- 5000LBS OR **UPGRADE TO 6500LBS**

STRUCTURAL

- FULL SKIRT WELDED STEEL CONSTRUCTION

TURNTABLE DRIVE

- 3/4HP AC MOTOR & DELTA 1HP VFD DRIVE
- #50 ANSI CHAIN, 20:1 GEARBOX
- 40 TABLE SUPPORT WHEELS

TURNTABLE SPEED

- 0-15RPM

CARRIAGE DRIVE

- 3/4HP AC MOTOR & DELTA 1HP VFD DRIVE
- #50 ANSI CHAIN, 60:1 GEARBOX

FILM DELIVERY

- HURRICANE THREAD® PRESTRETCH CARRIAGE

FILM ROLL

- 200% FACTORY SET PRESTRETCH
- 50-250% STRETCH AVAILABLE ON REQUEST

POWER REQ.

- 20" MACHINE FILM, 3" CORE
- 115VAC, 15A, 60Hz- PLUG AND PLAY

SAFETY

- FULLY GUARDED TOWER & MOVING PARTS
- NO PINCH: CARRIAGE DE-ENERGIZED WHEN DOOR OPEN
- EMERGENCY STOP BUTTON

ONBOARD PROGRAMS

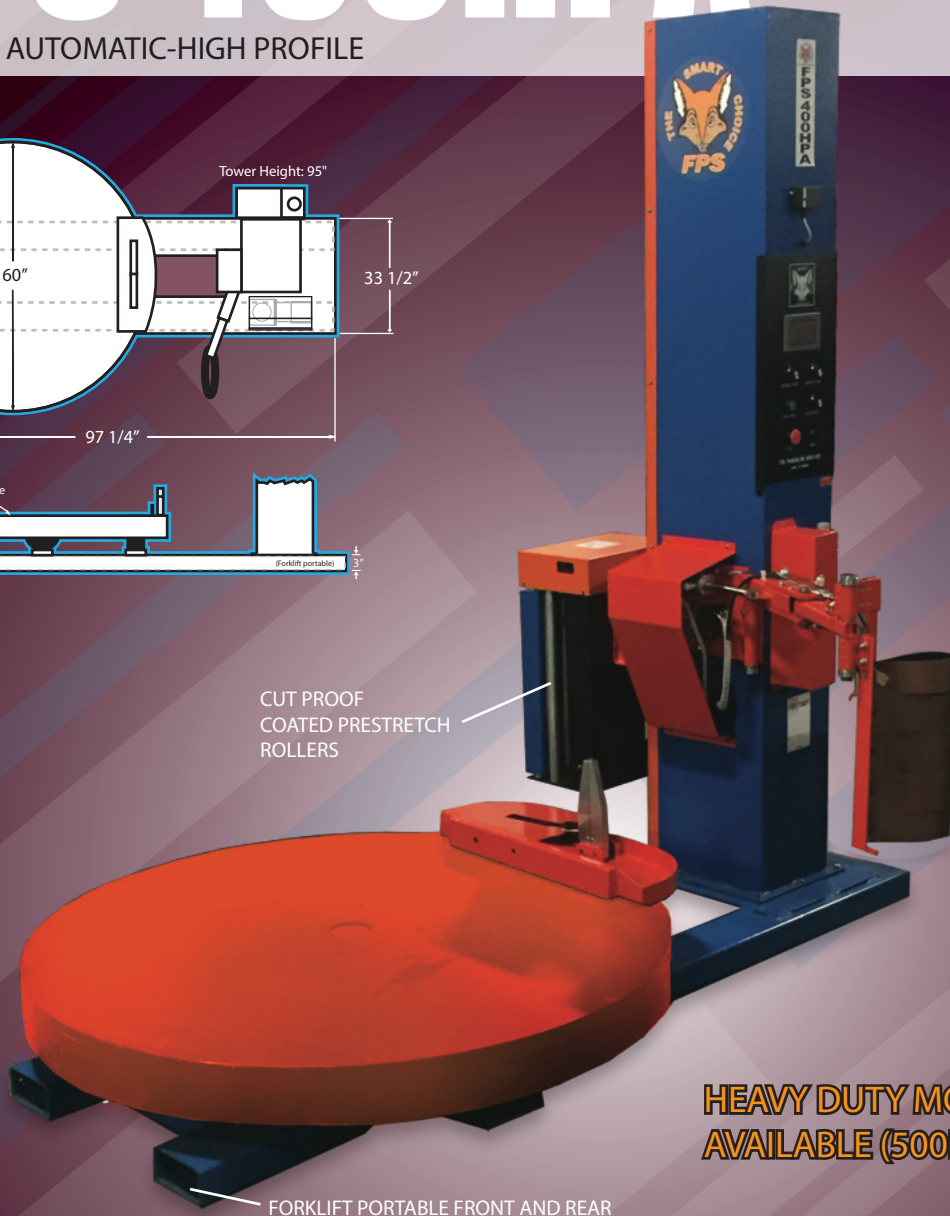
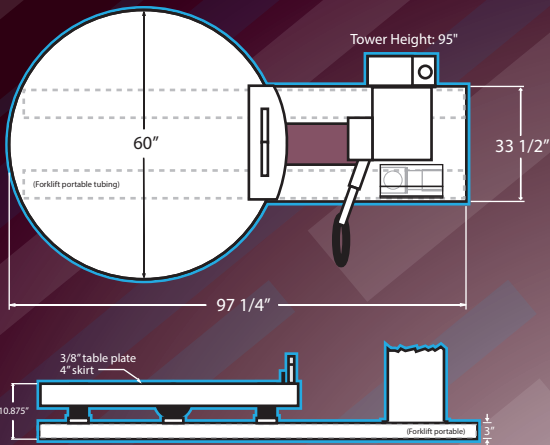
- STANDARD WRAP CYCLE
- STANDARD W/TOP COVER PAUSE
- BOTTOM WRAPS FIRST

OPTIONS

- WRAP UPWARDS ONLY
- HEIGHT/BASE EXTENSION
- LOADING RAMP
- HEAVY DUTY EXTENDED RAMP (For powered hand trucks)
- INTEGRATED SCALE PACKAGE
- SAFETY FENCING
- SAFETY LIGHT CURTAINS

FPS 400HPA

PORTABLE AUTOMATIC-HIGH PROFILE



POWER DE-ENERGIZED
WHEN CARRIAGE DOOR OPEN



7" FULL COLOR TOUCH SCREEN

**HEAVY DUTY MODEL
AVAILABLE (500HPA)**

SPECIFICATIONS:

CONTROLS

- FULL COLOR 7" PLC TOUCH SCREEN
- REMOTE CONTROL START

PRODUCTION SPEED

- 1-55 LPH*

LOAD SIZE

- 55" L x 55" W x 82" H (80" Diagonal)

WEIGHT CAPACITY

- 5000LBS OR **UPGRADE TO 8000LBS** (500HPA)

STRUCTURAL

- WELDED STEEL CONSTRUCTION

TURNTABLE DRIVE

- 3/4HP AC MOTOR & DELTA 1HP VFD DRIVE
- #50 ANSI CHAIN, 20:1 GEARBOX
- DIRECT DRIVE RING & PINION BEARING
- 4 HEAVY DUTY CASTERS

TURNTABLE SPEED

- 0-15RPM

CARRIAGE DRIVE

- 3/4HP AC MOTOR & DELTA 1HP VFD DRIVE
- #50 ANSI CHAIN, 60:1 GEARBOX

FILM DELIVERY

- HURRICANE THREAD[®] PRESTRETCH CARRIAGE
- 200% FACTORY SET PRESTRETCH
- 50-250% STRETCH AVAILABLE ON REQUEST

FILM ROLL

- 20" MACHINE FILM, 3" CORE

POWER REQ.

- 115VAC, 15A, 60Hz- PLUG AND PLAY

SAFETY

- FULLY GUARDED TOWER & MOVING PARTS
- NO PINCH: CARRIAGE DE-ENERGIZED WHEN DOOR OPEN
- EMERGENCY STOP BUTTON

ONBOARD PROGRAMS

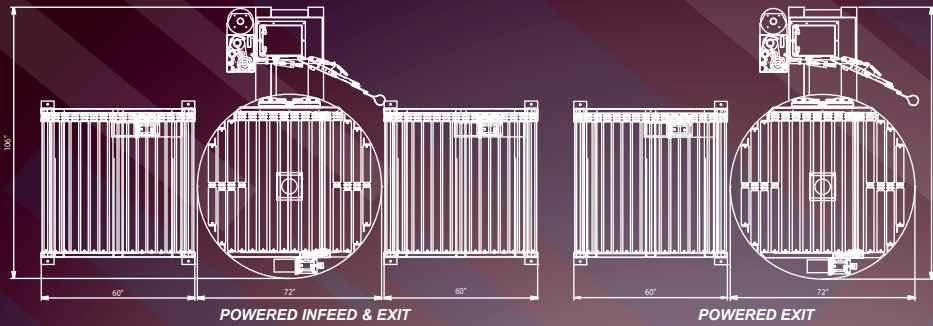
- STANDARD WRAP CYCLE
- STANDARD W/TOP COVER PAUSE
- BOTTOM WRAPS FIRST
- WRAP UPWARDS ONLY

OPTIONS

- HEIGHT/BASE EXTENSION
- INTEGRATED SCALE PACKAGE
- SAFETY FENCING
- SAFETY LIGHT CURTAINS

FPS 600

CUSTOMIZABLE INLINE TURNTABLE AUTOMATIC



* FPS 600 shown with gravity feed exit conveyor and staging photo eyes (not included)

SPECIFICATIONS:

CONTROLS

- FULL COLOR 7" PLC TOUCH SCREEN

PRODUCTION SPEED

- 1-40 LPH*

LOAD SIZE

- BASED ON CUSTOMER REQUIREMENT

WEIGHT CAPACITY

- **8000LBS**

STRUCTURAL

- FULL SKIRT WELDED STEEL CONSTRUCTION

TURNTABLE DRIVE

- 1HP AC MOTOR & DELTA 1HP VFD DRIVE
- DIRECT GEAR DRIVE RING AND PINION
- 4 HEAVY DUTY CASTERS

TURNTABLE SPEED

- 0-15RPM

CARRIAGE DRIVE

- 3/4HP AC MOTOR & DELTA 1HP VFD DRIVE
- #50 ANSI CHAIN, 60:1 GEARBOX

FILM DELIVERY

- HURRICANE THREAD® PRESTRETCH CARRIAGE
- 200% FACTORY SET PRESTRETCH
- 50-250% STRETCH AVAILABLE ON REQUEST

FILM ROLL

- 20" MACHINE FILM, 3" CORE

POWER REQ.

- BASED ON CUSTOMER REQUIREMENTS

AIR REQ. SAFETY

- 80 P.S.I. @ 3 CFM
- FULLY GUARDED TOWER & MOVING PARTS
- NO PINCH: CARRIAGE DE-ENERGIZED WHEN DOOR OPEN
- EMERGENCY STOP BUTTON
- STANDARD WRAP CYCLE
- STANDARD W/TOP COVER PAUSE
- BOTTOM WRAPS FIRST
- WRAP UPWARDS ONLY
- HEIGHT/BASE EXTENSION
- INTEGRATED SCALE PACKAGE
- GRAVITY OR POWERED INFEED-EXIT CONVEYORS
- SAFETY FENCING
- SAFETY LIGHT CURTAINS

ONBOARD PROGRAMS

OPTIONS

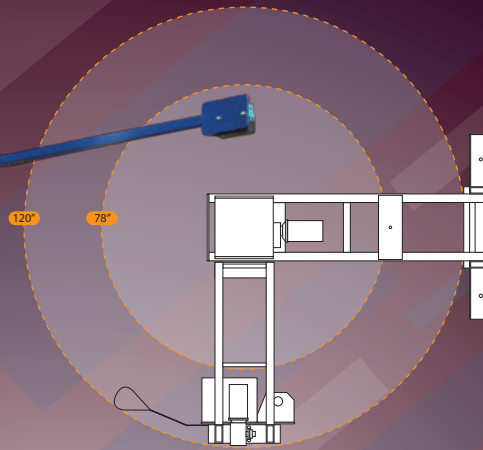
*SUGGESTED LOADS PER HOUR- May vary depending on load sizes, loading/unloading speeds and number of wraps or wrapping pauses on load.

FPS 800

SEMI-AUTOMATIC ROTARY ARM



CUT PROOF
COATED
PRESTRETCH
ROLLERS



FPS 800 FREESTAND



FPS 800 4 LEG GANTRY (3 LEG ALSO AVAILABLE)

FPS 800 WALL MOUNT

SPECIFICATIONS:

CONTROLS
PRODUCTION SPEED
LOAD SIZE
WEIGHT CAPACITY
STRUCTURAL
ARM DRIVE

- FULL COLOR 7" PLC TOUCH SCREEN
- 1-40 LPH*
- 55"L x 55"W x 82"H (80" Diagonal)
- UNLIMITED
- WELDED STEEL TUBE CONSTRUCTION
- 3/4HP AC MOTOR & DELTA 1HP VFD DRIVE
- 20:1 GEARBOX
- DIRECT GEAR DRIVE RING & PINION

POWER REQ.

- 115VAC, 15A, 60Hz- PLUG AND PLAY

SAFETY

- NO PINCH: CARRIAGE DE-ENERGIZED WHEN DOOR OPEN
- EMERGENCY STOP BUTTON

ARM SPEED
CARRIAGE DRIVE

- 0-15RPM
- 3/4HP AC MOTOR & DELTA 1HP VFD DRIVE
- #50 ANSI CHAIN, 60:1 GEARBOX

ONBOARD PROGRAMS

- STANDARD WRAP CYCLE
- STANDARD W/TOP COVER PAUSE
- BOTTOM WRAPS FIRST
- WRAP UPWARDS ONLY

FILM DELIVERY

- HURRICANE THREAD® PRESTRETCH CARRIAGE
- 200% FACTORY SET PRESTRETCH
- 50-250% STRETCH AVAILABLE ON REQUEST

OPTIONS

- HEIGHT/ARM EXTENSION
- WALL MOUNT, FREE STAND, 3 OR 4 LEG GANTRY
- SAFETY LIGHT CURTAINS
- SAFETY FENCING

FILM ROLL

- 20" MACHINE FILM, 3" CORE

*SUGGESTED LOADS PER HOUR- May vary depending on load sizes, loading/unloading speeds and number of wraps or wrapping pauses on load.

FPS 800PA

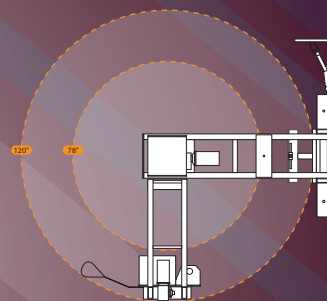
PORTABLE AUTOMATIC ROTARY ARM



FPS 800PA 4 LEG GANTRY (3 LEG ALSO AVAILABLE)



KEYPAD TOUCH CONTROLS



STANDARD HEIGHT: 108"

CUT PROOF COATED PRESTRETCH ROLLERS

SPECIFICATIONS:

CONTROLS

PRODUCTION SPEED

LOAD SIZE

WEIGHT CAPACITY

STRUCTURAL

ARM DRIVE

ARM SPEED

CARRIAGE DRIVE

FILM DELIVERY

FILM ROLL

POWER REQ.

• FULL COLOR 7" PLC TOUCH SCREEN

• 1-40 LPH*

• 48"L x 48"W x 71"H (68" DIAGONAL)

• UNLIMITED

• WELDED STEEL TUBE CONSTRUCTION

• 1HP AC MOTOR & DELTA 1HP VFD DRIVE

• DIRECT GEAR DRIVE RING AND PINION

• 0-15RPM

• 3/4HP AC MOTOR & DELTA 1HP VFD DRIVE

• #50 ANSI CHAIN, 60:1 GEARBOX

• HURRICANE THREAD® PRESTRETCH CARRIAGE

• 200% FACTORY SET PRESTRETCH

• 50-250% STRETCH AVAILABLE ON REQUEST

• 20" MACHINE FILM, 3" CORE

• BASED ON CUSTOMER REQUIREMENTS

AIR REQ.

• 80 P.S.I. @ 3 CFM

SAFETY

• NO PINCH: CARRIAGE DE-ENERGIZED WHEN DOOR OPEN

• EMERGENCY STOP BUTTON

• STANDARD WRAP CYCLE

• STANDARD W/TOP COVER PAUSE

• BOTTOM WRAPS FIRST

• WRAP UPWARDS ONLY

ONBOARD PROGRAMS

OPTIONS

• HEIGHT/ARM EXTENSION

• WALL MOUNT, FREE STAND, 3 OR 4 LEG GANTRY

• SAFETY LIGHT CURTAINS

• SAFETY FENCING

*SUGGESTED LOADS PER HOUR- May vary depending on load sizes, loading/unloading speeds and number of wraps or wrapping pauses on load.

FPS 800RTA

INLINE FULLY AUTOMATIC ROTARY ARM



CUT PROOF
COATED PRESTRETCH
ROLLERS

SPECIFICATIONS:

CONTROLS
PRODUCTION SPEED
LOAD SIZE
WEIGHT CAPACITY
STRUCTURAL
ARM DRIVE

ARM SPEED
CARRIAGE DRIVE

FILM DELIVERY

FILM ROLL
POWER REQ.

- FULL COLOR 7" PLC TOUCH SCREEN
- 1-60 LPH*
- 48"L x 48"W x 71"H (68" DIAGONAL)
- BASED ON CONVEYOR CAPACITY
- WELDED STEEL TUBE CONSTRUCTION
- 1HP AC MOTOR & DELTA 1HP VFD DRIVE
- DIRECT GEAR DRIVE RING AND PINION
- 0-15RPM
- 3/4HP AC MOTOR & DELTA 1HP VFD DRIVE
- #50 ANSI CHAIN, 60:1 GEARBOX
- HURRICANE THREAD® PRESTRETCH CARRIAGE
- 200% FACTORY SET PRESTRETCH
- 50-250% STRETCH AVAILABLE ON REQUEST
- 20" MACHINE FILM, 3" CORE
- BASED ON CUSTOMER REQUIREMENTS

AIR REQ.
SAFETY

ONBOARD
PROGRAMS

OPTIONS

- 80 P.S.I. @ 3 CFM
- NO PINCH: CARRIAGE DE-ENERGIZED WHEN DOOR OPEN
- EMERGENCY STOP BUTTON
- STANDARD WRAP CYCLE
- STANDARD W/TOP COVER PAUSE
- BOTTOM WRAPS FIRST
- WRAP UPWARDS ONLY
- HEIGHT/ARM EXTENSION
- WALL MOUNT, FREE STAND, 3 OR 4 LEG GANTRY
- SAFETY LIGHT CURTAINS
- SAFETY FENCING
- GRAVITY/POWERED INFEED/EXIT CONVEYORS

FPS FT ORBITAL

AUTOMATIC FORKLIFT ORBITAL



SPECIFICATIONS:

CONTROLS

- FULL COLOR 7" PLC TOUCH SCREEN
- REMOTE CONTROL START

PRODUCTION SPEED

- 1-20 LPH*

LOAD SIZE

- 48"L x 48"W x 53"H (80" Diagonal)

WEIGHT CAPACITY

- WEIGHT BASED ON FORKLIFT CAPACITY

STRUCTURAL

- WELDED STEEL CONSTRUCTION

RING DRIVE

- 1HP AC MOTOR & DELTA 1HP VFD DRIVE
- 20:1 GEARBOX

RING SPEED

- 0-15RPM

CARRIAGE DRIVE

- 1/4HP DC MOTOR & DELTA 1HP VFD DRIVE
- #35 ANSI CHAIN, 60:1 GEARBOX

FILM DELIVERY

- FRICTION CARRIAGE

FILM ROLL

- 20" MACHINE FILM, 3" CORE

POWER REQ.

- 115VAC, 15A, 60Hz- PLUG AND PLAY

SAFETY

- SAFETY DOOR INTERLOCK
- EMERGENCY STOP BUTTON

ONBOARD PROGRAMS

- RING SPEED CONTROL
- CARRIAGE SPEED CONTROL

OPTIONS

- SAFETY LIGHT CURTAINS
- SAFETY FENCING

ORBITAL



FPS 1000 **MANUAL**

- Ring sizes 10"-106"
- Foot Pedal Operated
- Friction Carriage
- Manual Film Cutter

FPS 2000 **SEMI-AUTOMATIC**

- PLC Touch Screen Control
- Foot Pedal Activated
- Ring Size 10"-106"
- Precision Steel Ring
- Automatic Film Clamp & Cut

FPS 3000 **FULLY AUTOMATIC**

- PLC Touch Screen Control
- Ring Size 10"-106"
- Precision Steel Ring
- Automatic Carriage Home Position
- Automatic Product Indexing
- Automatic Film Clamp & Cut
- Pre-Stretch Carriage Optional



Visit us online:
www.foxpkg.com

**CUSTOMIZABLE
TO FIT ANY
APPLICATION**



CUSTOM

WE CAN BUILD A MACHINE TO WRAP ANYTHING!

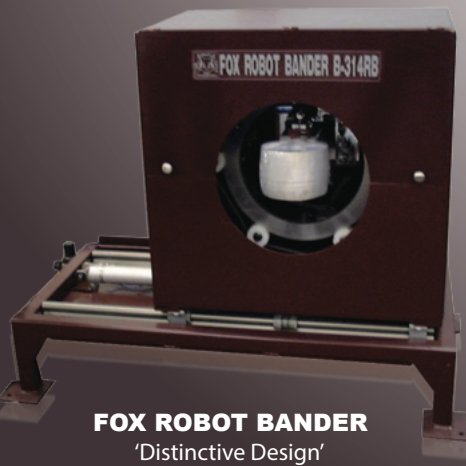


*COLORS MAY NOT BE AS SHOWN

TOP PLATEN

TOP PLATENS SECURE UNSTABLE LOADS

WRAP:
SHUTTERS, DIVIDERS, OFFICE PANELS
WINDOWS & DOORS ETC.
LIGHT OR UNSTABLE LOADS

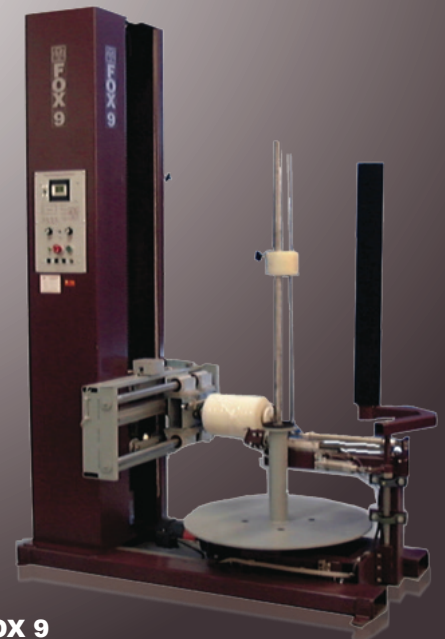


FOX ROBOT BANDER
'Distinctive Design'



FOX R326-BB BEARING BANDER
'Unique Engineering'

- Servo Controlled
- Vertical Rollers rotate bearings during wrap cycle
- Programmable for 5"-15" bearings



FOX 9
'Unusual Custom Application'

- Wraps stacks of unstable computer chair legs
- Automatic Film Apply & Cut
- Film carriage moves both vertically & horizontally

WATCH VIDEO CLIPS OF THESE MACHINES ON OUR WEBSITE!

www.foxpkg.com

AGENTS:

JIM PETRUZZI

THE MILL AGENT GROUP
2796 ASHTONLEE COURT
NAPERVILLE, IL 60565
TEL: 630-579-4200
FAX: 630-579-4300
E-MAIL: jim@millagentgroup.com

REPRESENTING: ILLINOIS, MICHIGAN,
WISCONSIN

RON DEBRECZENI

PARALLEL SALES AND MARKETING
4005 VILLAGE RUN RD.
WEXFORD, PA 15090
TEL: 724-719-2909
FAX: 724-719-2910
E-MAIL: deb@psandm.com

REPRESENTING: OHIO, KENTUCKY, MICHIGAN
INDIANA, W VIRGINIA, PENNSYLVANIA

TOM HARRITY

THOMAS P. HARRITY ASSOCIATES
103 RAINIER RD.
PLYMOUTH MEETING, PA 19462
TEL: 610-724-6517
FAX: 610-940-0477
E-MAIL: tomharrity@comcast.net

REPRESENTING: MAINE, LOWER NEW YORK STATE,
MASSACHUSETTS, NEW JERSEY, RHODE ISLAND,
PENNSYLVANIA

KEN KUBECKA

KRK MARKETING INC.
14546 GEMINI BLVD.
WILLIS, TX 77318
TEL: 936-890-8222
FAX: 936-890-8333
E-MAIL: tapehoncho@yahoo.com

REPRESENTING: TEXAS, OKLAHOMA

DISTRIBUTOR:

FOR ANY AREAS NOT LISTED CONTACT US DIRECTLY:



FOX PACKAGING SERVICES
20 MELFORD DR. UNITS 11-12
SCARBOROUGH, ONTARIO M1B 2X6 CANADA
TEL: (416) 289-3699
FAX: (416) 289-8987 1-888-918-FOX1 (3691)
WEB: www.foxpkg.com
E-MAIL: sales@foxpkg.com