

# FOX PACKAGING SERVICES

2024 CATALOGUE

SMART

THE



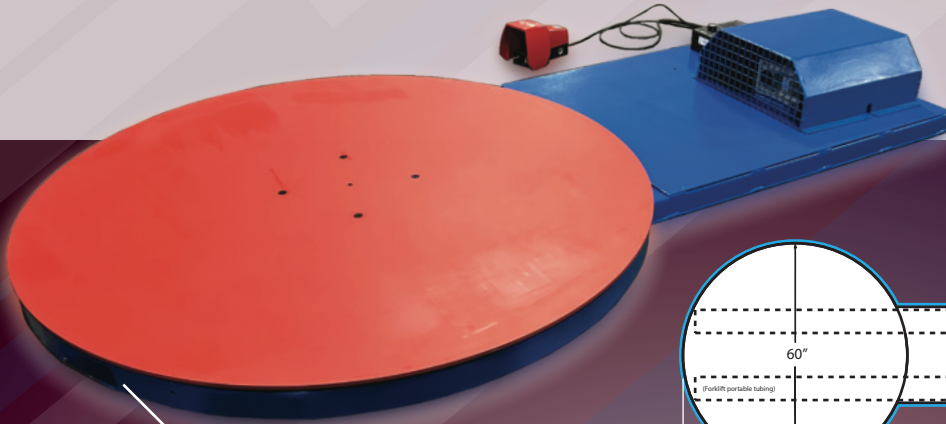
CHOICE

FPS

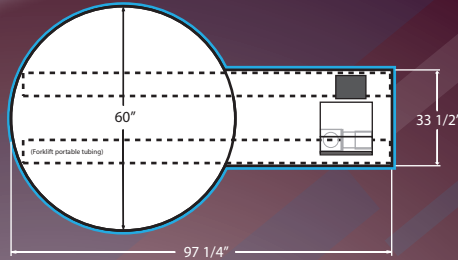
BUILDING HEAVY DUTY WRAPPERS TO MEET EVERY DAY NEEDS

# FPS 1L

FOOT PEDAL CONTROLLED

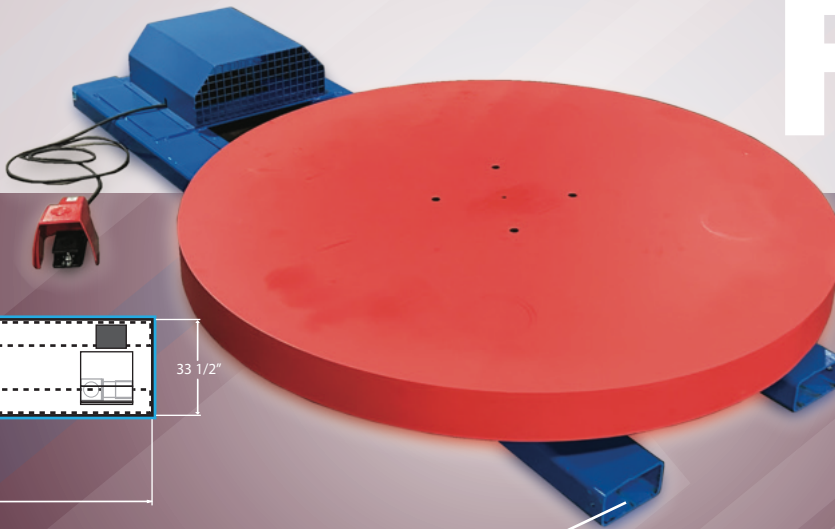


FORKLIFT PORTABLE FRONT AND REAR

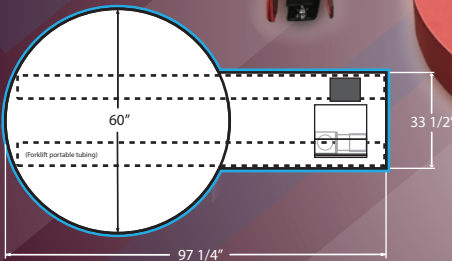


# FPS 1H

FOOT PEDAL CONTROLLED



FORKLIFT PORTABLE FRONT AND REAR



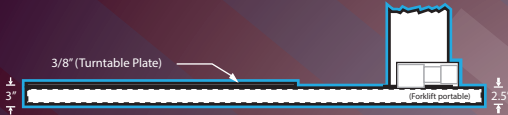
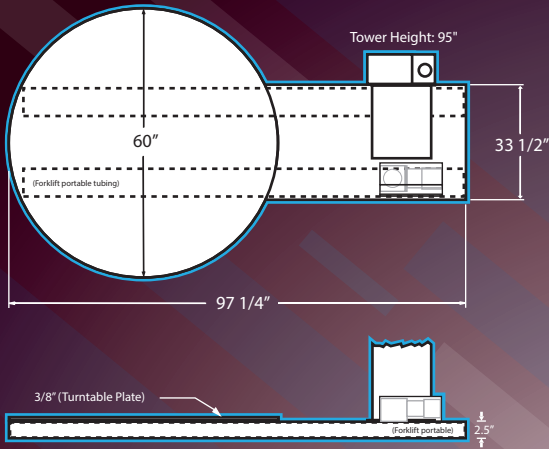
## SPECIFICATIONS:

<b>CONTROLS</b>	•SOFT START/STOP VARIABLE SPEED DRIVE	<b>OPTIONS</b>
<b>PRODUCTION SPEED</b>	•1-25 LPH*	•LOADING RAMP ( <b>FPS 1L ONLY</b> )
<b>SUGGESTED LOAD SIZE</b>	•55"L x 55"W x 84"H (80" Diagonal)	•COMBINATION RAMP (For powered hand trucks) ( <b>FPS 1L ONLY</b> )
<b>WEIGHT CAPACITY</b>	•5000LBS	•SAFETY FENCING
<b>STRUCTURAL</b>	•WELDED STEEL CONSTRUCTION	•SAFETY LIGHT CURTAINS
<b>TURNTABLE DRIVE</b>	•1/2HP SCR DRIVE, 20:1 GEARBOX	
	•36 TABLE SUPPORT WHEELS ( <b>FPS 1L</b> )	
	•4 HEAVY DUTY CASTERS ( <b>FPS 1H</b> )	
<b>TURNTABLE SPEED</b>	•0-15RPM	
<b>CARRIAGE DRIVE</b>	•N/A	
<b>FILM DELIVERY</b>	•N/A	
<b>FILM ROLL</b>	•14-18" HAND FILM OR STRETCH FILM	
<b>POWER REQ.</b>	•115VAC, 15A, 60Hz- PLUG AND PLAY	
<b>SAFETY</b>	•FOOT PEDAL DEADMAN CONTROL	
	•SIMPLE ON/OFF SWITCH OR UNPLUG FOR EMERGENCY STOP	

\*SUGGESTED LOADS PER HOUR- May vary depending on load sizes, loading/unloading speeds and number of wraps or wrapping pauses on load.

# FPS 100

MANUAL LIFT CARRIAGE



COUNTER-WEIGHT BALANCED FOR EASY OPERATOR USE

## SPECIFICATIONS:

FORKLIFT PORTABLE FRONT AND REAR

**CONTROLS**  
**PRODUCTION SPEED**  
**LOAD SIZE**  
**WEIGHT CAPACITY**  
**STRUCTURAL**  
**TURNTABLE DRIVE**  
  
**TURNTABLE SPEED**  
**CARRIAGE DRIVE**  
**FILM DELIVERY**

- SOFT START/STOP VARIABLE SPEED DRIVE
- 1-25 LPH\*
- 55"L x 55"W x 84"H (80" Diagonal)
- 5000LBS
- WELDED STEEL CONSTRUCTION
- 1/2HP SCR DRIVE, 20:1 GEARBOX
- 36 TABLE SUPPORT WHEELS
- 0-15RPM
- 1/2HP SCR DRIVE, #50 ANSI CHAIN
- MANUAL LIFT CARRIAGE
- COUNTER WEIGHT BALANCED
- 14-18" HAND FILM
- 115VAC, 15A, 60Hz- PLUG AND PLAY

### SAFETY

- NO PINCH POINTS
- NO MOVING FILM ROLLERS
- SIMPLE ON/OFF SWITCH FOR EMERGENCY STOP

### OPTIONS

- LOADING RAMP
- COMBINATION RAMP (For powered hand trucks)
- SAFETY FENCING
- SAFETY LIGHT CURTAINS

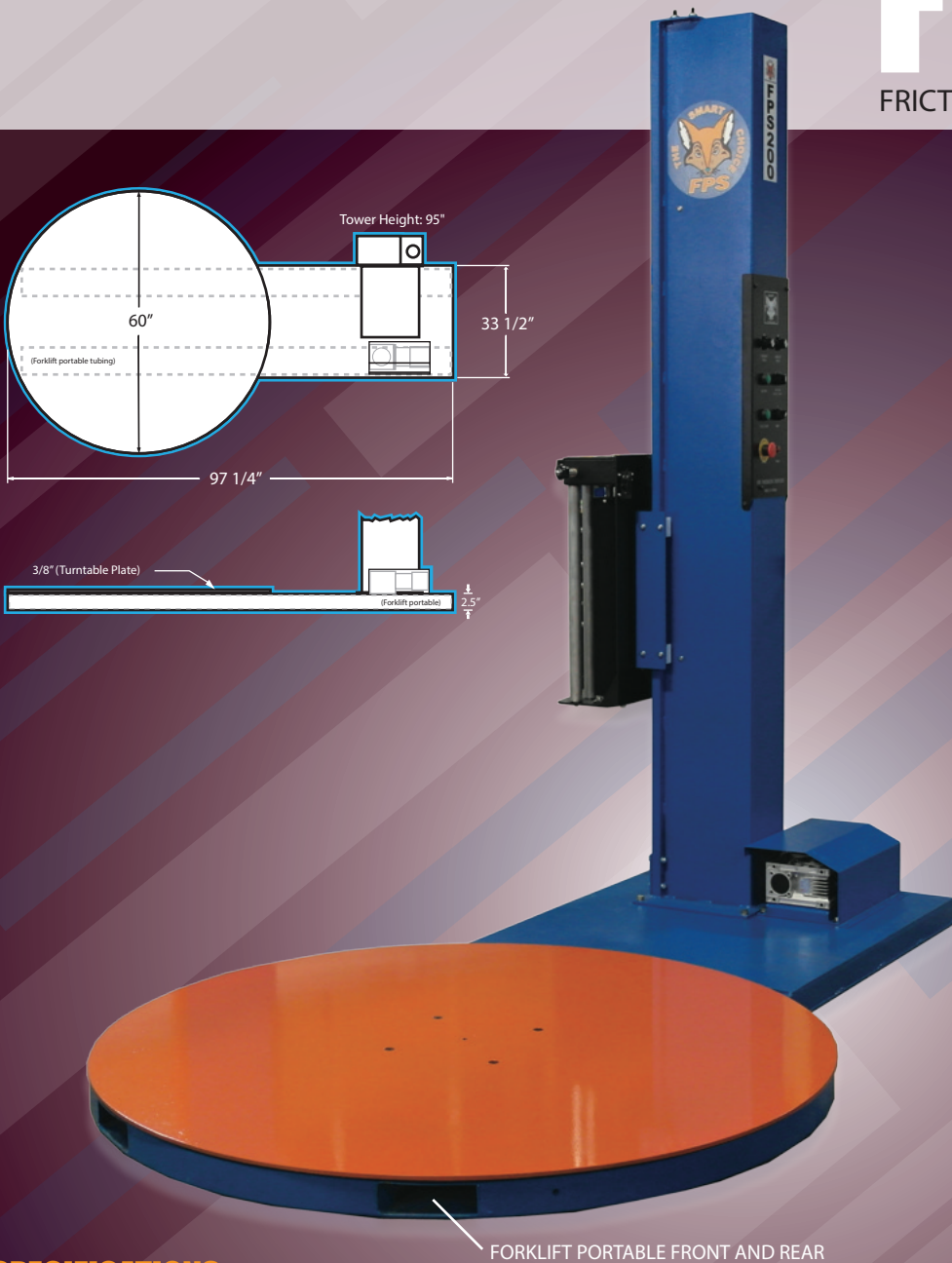
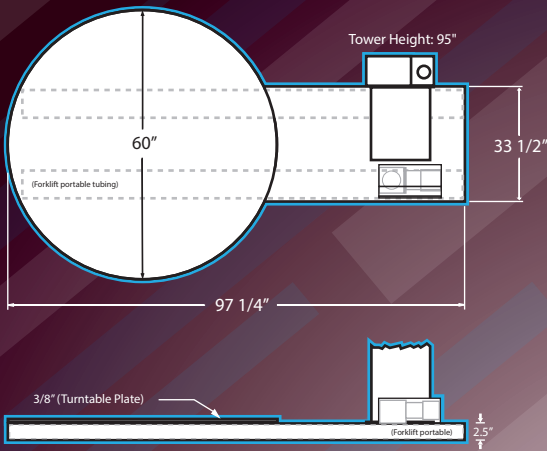
**FILM ROLL**  
**POWER REQ.**

\*SUGGESTED LOADS PER HOUR- May vary depending on load sizes, loading/unloading speeds and number of wraps or wrapping pauses on load.



# FPS 200

FRICION OR PRESTRETCH FILM CARRIAGE



FORKLIFT PORTABLE FRONT AND REAR



SPRING LOAD<sup>©</sup> DYNAMIC CARRIAGE      HURRICANE<sup>©</sup> PRESTRETCH CARRIAGE



•SPRING LOADED FILM HOLDER ALLOWS FOR QUICK AND EASY FILM ROLL CHANGES

•**OPTIONAL** HURRICANE PRESTRETCH FILM CARRIAGE DELIVERS UP TO 300% FILM STRETCH

•ALLOWS UP TO 100% FILM STRETCH

•AUTO FILM CUT  
•POWER DE-ENERGIZED WHEN CARRIAGE DOOR OPEN FOR OPERATOR SAFETY

•GREATER FILM SAVINGS

## SPECIFICATIONS:

**CONTROLS**  
**PRODUCTION SPEED**  
**LOAD SIZE**  
**WEIGHT CAPACITY**  
**STRUCTURAL**  
**TURNTABLE DRIVE**  
  
**TURNTABLE SPEED**  
**CARRIAGE DRIVE**  
  
**FILM DELIVERY**  
  
**FILM ROLL**  
**POWER REQ.**

•PLC 4" TOUCH SCREEN CONTROLS  
•1-40 LPH\*  
•55"L x 55"W x 90"H (80" Diagonal)  
•5000LBS  
•WELDED STEEL CONSTRUCTION  
•1/2HP SCR DRIVE  
•#50 ANSI CHAIN, 20:1 GEARBOX  
•36 TABLE SUPPORT WHEELS  
•0-15RPM  
•1/2HP SCR DRIVE  
•#50 ANSI CHAIN, 60:1 GEARBOX  
•STANDARD SPRING LOAD<sup>©</sup> DYNAMIC CARRIAGE WITH 100%+ TENSION STRETCH **OR UPGRADE TO** HURRICANE<sup>©</sup> PRESTRETCH FILM CARRIAGE  
•20" MACHINE FILM, 3" CORE  
•115VAC, 15A, 60Hz- PLUG AND PLAY

## SAFETY

•FULLY GUARDED TOWER & MOVING PARTS  
•NO PINCH: CARRIAGE ROLLERS- ROTATE OUTWARD  
•EMERGENCY STOP BUTTON

## OPTIONS

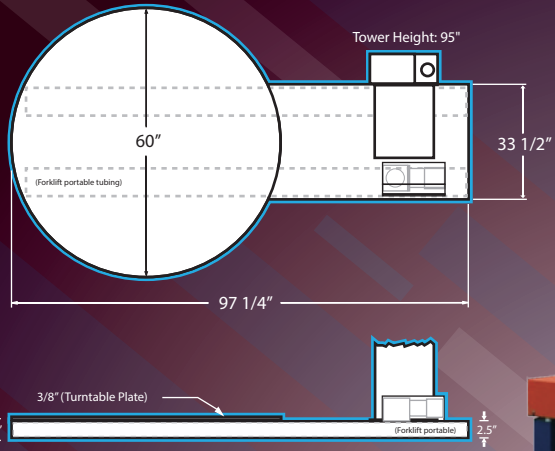
•PRESTRETCH FILM CARRIAGE  
•BASE EXTENSION  
•LOADING RAMP  
•COMBINATION RAMP (For powered hand trucks)  
•INTEGRATED SCALE PACKAGE  
•SAFETY FENCING  
•SAFETY LIGHT CURTAINS

\*SUGGESTED LOADS PER HOUR- May vary depending on load sizes, loading/unloading speeds and number of wraps or wrapping pauses on load.



# FPS 300

HURRICANE THREAD® PRESTRETCH CARRIAGE



CUT PROOF  
COATED PRESTRETCH  
ROLLERS

FORKLIFT PORTABLE FRONT AND REAR



POWER DE-ENERGIZED  
WHEN CARRIAGE DOOR OPEN



7" FULL COLOR TOUCH SCREEN

## SPECIFICATIONS:

### CONTROLS

### PRODUCTION SPEED

### LOAD SIZE

### WEIGHT CAPACITY

### STRUCTURAL

### TURNTABLE DRIVE

### TURNTABLE SPEED

### CARRIAGE DRIVE

### FILM DELIVERY

### FILM ROLL

### POWER REQ.

- FULL COLOR 7" PLC TOUCH SCREEN CONTROLS
- 1-40 LPH\*
- 55"L x 55"W x 90"H (80" Diagonal)
- 5000LBS
- WELDED STEEL CONSTRUCTION
- 3/4HP AC MOTOR & DELTA 1HP VFD DRIVE
- #50 ANSI CHAIN, 20:1 GEARBOX
- 36 TABLE SUPPORT WHEELS
- 0-15RPM
- 3/4HP AC MOTOR & DELTA 1HP VFD DRIVE
- #50 ANSI CHAIN, 60:1 GEARBOX
- HURRICANE THREAD® PRESTRETCH CARRIAGE
- 200% FACTORY SET PRESTRETCH
- 50-250% STRETCH AVAILABLE ON REQUEST
- 20" MACHINE FILM, 3" CORE
- 115VAC, 15A, 60Hz- PLUG AND PLAY

### SAFETY

### ONBOARD PROGRAMS

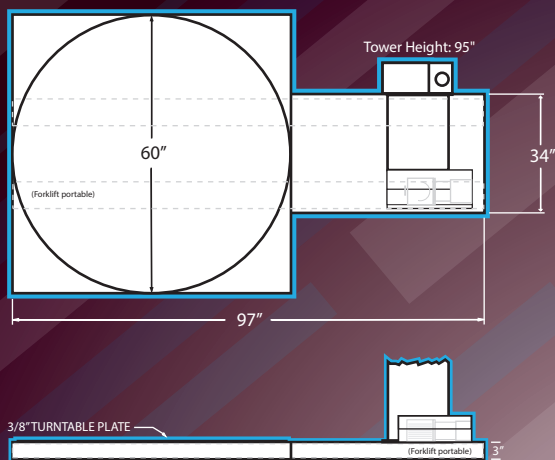
### OPTIONS

- SAFEGUARD FULLY GUARDED TOWER & MOVING PARTS
- NO PINCH: CARRIAGE DE-ENERGIZED WHEN DOOR OPEN
- EMERGENCY STOP BUTTON
- STANDARD WRAP CYCLE
- STANDARD W/TOP COVER PAUSE
- BOTTOM WRAPS FIRST
- WRAP UPWARDS ONLY
- HEIGHT/BASE EXTENSION
- LOADING RAMP
- COMBINATION RAMP (For powered hand trucks)
- INTEGRATED SCALE PACKAGE
- SAFETY FENCING
- SAFETY LIGHT CURTAINS

\*SUGGESTED LOADS PER HOUR- May vary depending on load sizes, loading/unloading speeds and number of wraps or wrapping pauses on load.

# FPS 400L

FULLY SKIRTED LOW PROFILE

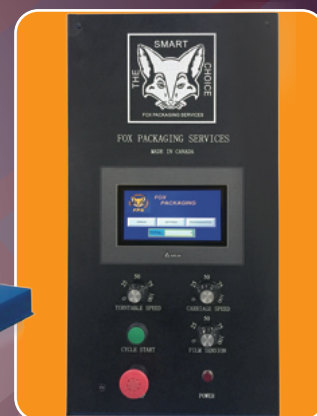


CUT PROOF  
COATED PRESTRETCH  
ROLLERS

FORKLIFT PORTABLE FRONT AND REAR



POWER DE-ENERGIZED  
WHEN CARRIAGE DOOR OPEN



7" FULL COLOR TOUCH SCREEN

## SPECIFICATIONS:

### CONTROLS

### PRODUCTION SPEED

### LOAD SIZE

### WEIGHT CAPACITY

### STRUCTURAL

### TURNTABLE DRIVE

### TURNTABLE SPEED

### CARRIAGE DRIVE

### FILM DELIVERY

### FILM ROLL

### POWER REQ.

- FULL COLOR 7" PLC TOUCH SCREEN
- 1-40 LPH\*
- 55"L x 55"W x 90"H (80" Diagonal)
- 5000LBS OR **UPGRADE TO 6500LBS**
- FULL SKIRT WELDED STEEL CONSTRUCTION
- 3/4HP AC MOTOR & DELTA 1HP VFD DRIVE
- #50 ANSI CHAIN, 20:1 GEARBOX
- 40 TABLE SUPPORT WHEELS
- 0-15RPM
- 3/4HP AC MOTOR & DELTA 1HP VFD DRIVE
- #50 ANSI CHAIN, 60:1 GEARBOX
- HURRICANE THREAD® PRESTRETCH CARRIAGE
- 200% FACTORY SET PRESTRETCH
- 50-250% STRETCH AVAILABLE ON REQUEST
- 20" MACHINE FILM, 3" CORE
- 115VAC, 15A, 60Hz- PLUG AND PLAY

### SAFETY

### ONBOARD PROGRAMS

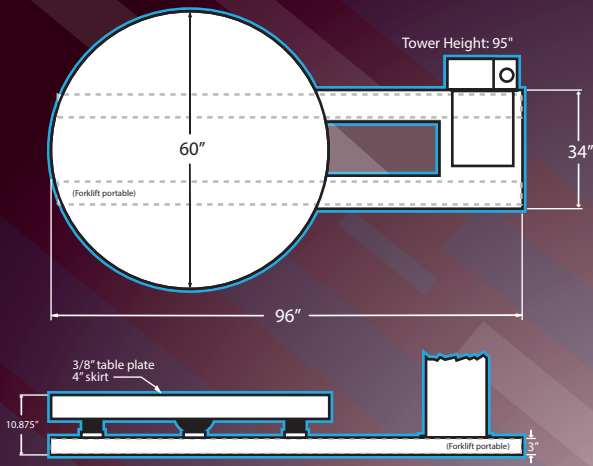
### OPTIONS

- FULLY GUARDED TOWER & MOVING PARTS
- NO PINCH: CARRIAGE DE-ENERGIZED WHEN DOOR OPEN
- EMERGENCY STOP BUTTON
- STANDARD WRAP CYCLE
- STANDARD W/TOP COVER PAUSE
- BOTTOM WRAPS FIRST
- WRAP UPWARDS ONLY
- HEIGHT/BASE EXTENSION
- LOADING RAMP
- HEAVY DUTY EXTENDED RAMP (For powered hand trucks)
- INTEGRATED SCALE PACKAGE
- DUAL TURNTABLE (400LDT)
- SAFETY FENCING/LIGHT CURTAINS



# FPS 400H

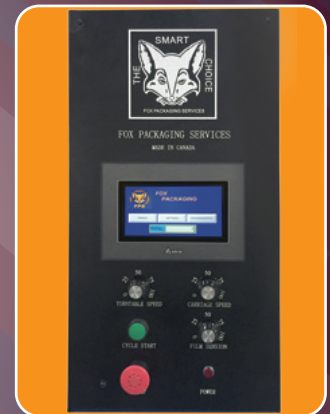
HIGH PROFILE



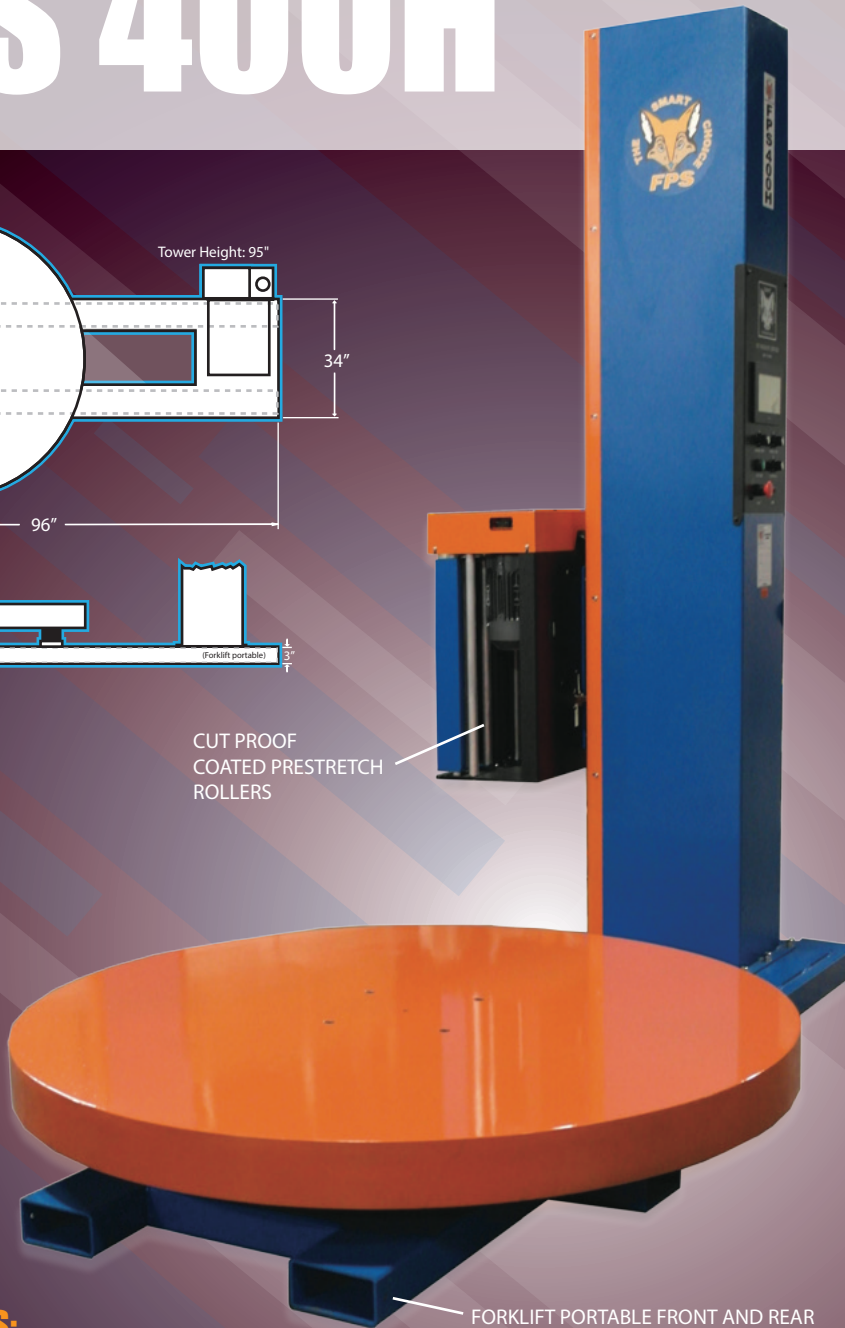
CUT PROOF  
COATED PRESTRETCH  
ROLLERS



POWER DE-ENERGIZED  
WHEN CARRIAGE DOOR OPEN



7" FULL COLOR TOUCH SCREEN



FORKLIFT PORTABLE FRONT AND REAR

## SPECIFICATIONS:

### CONTROLS

### PRODUCTION SPEED

### LOAD SIZE

### WEIGHT CAPACITY

### STRUCTURAL

### TURNTABLE DRIVE

### TURNTABLE SPEED

### CARRIAGE DRIVE

### FILM DELIVERY

### FILM ROLL

### POWER REQ.

- FULL COLOR 7" PLC TOUCH SCREEN
- 1-40 LPH\*
- 55"L x 55"W x 90"H (80" Diagonal)
- 5000LBS
- WELDED STEEL CONSTRUCTION
- 3/4HP AC MOTOR & DELTA 1HP VFD DRIVE
- #50 ANSI CHAIN, 20:1 GEARBOX
- 4 HEAVY DUTY CASTERS
- 0-15RPM
- 3/4HP AC MOTOR & DELTA 1HP VFD DRIVE
- #50 ANSI CHAIN, 60:1 GEARBOX
- HURRICANE THREAD® PRESTRETCH CARRIAGE
- 200% FACTORY SET PRESTRETCH
- 50-250% STRETCH AVAILABLE ON REQUEST
- 20" MACHINE FILM, 3" CORE
- 115VAC, 15A, 60Hz- PLUG AND PLAY

### SAFETY

### ONBOARD PROGRAMS

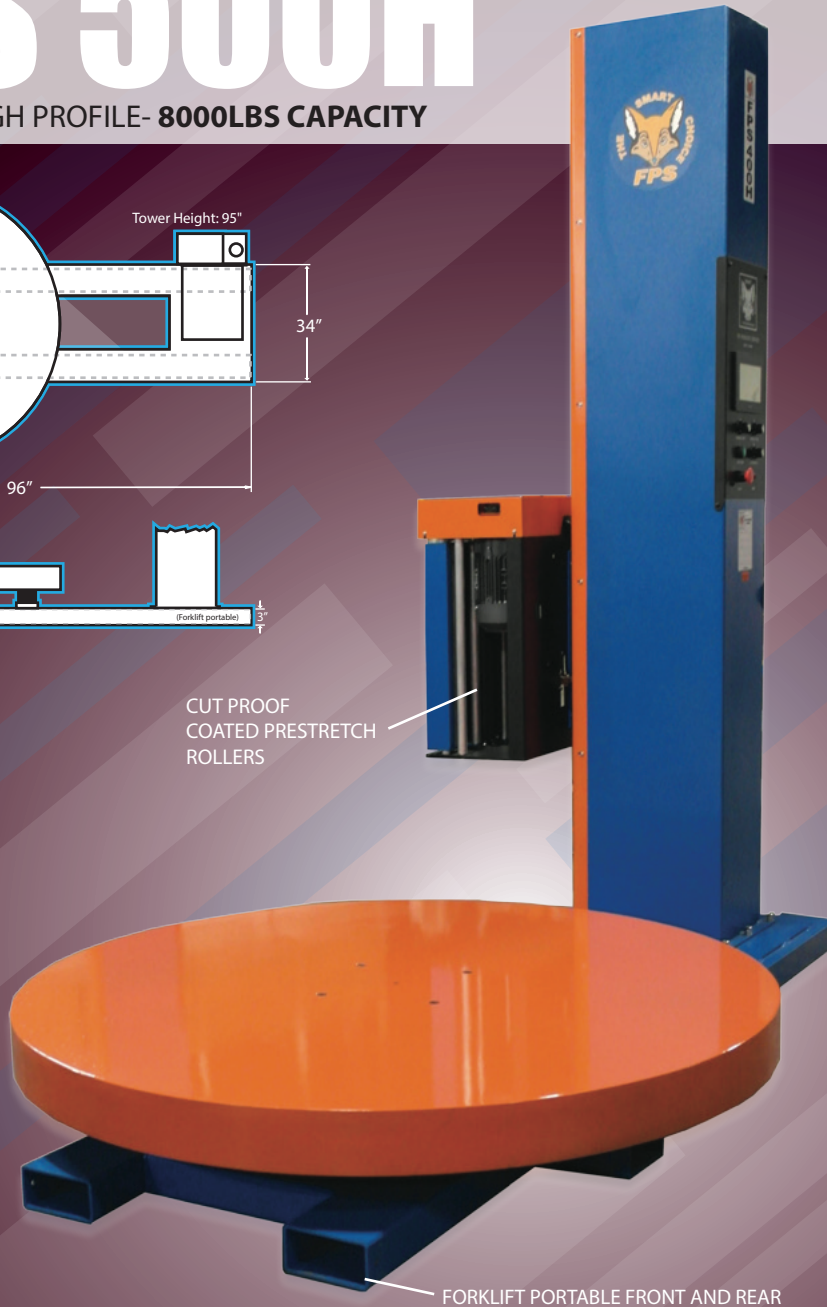
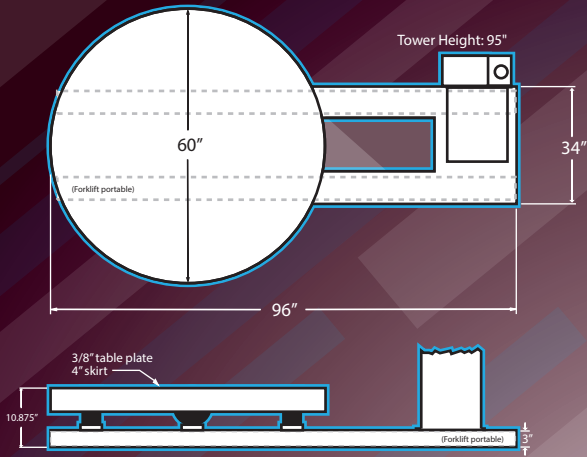
### OPTIONS

- FULLY GUARDED TOWER & MOVING PARTS
- NO PINCH: CARRIAGE DE-ENERGIZED WHEN DOOR OPEN
- EMERGENCY STOP BUTTON
- STANDARD WRAP CYCLE
- STANDARD W/TOP COVER PAUSE
- BOTTOM WRAPS FIRST
- WRAP UPWARDS ONLY
- HEIGHT/BASE EXTENSION
- INTEGRATED SCALE PACKAGE
- DUAL TURNTABLE (400HDT)
- SAFETY FENCING
- SAFETY LIGHT CURTAINS
- SPLIT BASE (FOR OVERSIZED LOADS)



# FPS 500H

HEAVY DUTY HIGH PROFILE- **8000LBS CAPACITY**



CUT PROOF  
COATED PRESTRETCH  
ROLLERS

FORKLIFT PORTABLE FRONT AND REAR



POWER DE-ENERGIZED  
WHEN CARRIAGE DOOR OPEN



7" FULL COLOR TOUCH SCREEN

## SPECIFICATIONS:

**CONTROLS**  
**PRODUCTION SPEED**  
**LOAD SIZE**  
**WEIGHT CAPACITY**  
**STRUCTURAL**  
**TURNTABLE DRIVE**

**TURNTABLE SPEED**  
**CARRIAGE DRIVE**

**FILM DELIVERY**

**FILM ROLL**  
**POWER REQ.**

- FULL COLOR 7" PLC TOUCH SCREEN
- 1-55 LPH\*
- 55"L x 55"W x 82"H (80" Diagonal)
- **8000LBS**
- WELDED STEEL CONSTRUCTION
- 3/4HP AC MOTOR & DELTA 1HP VFD DRIVE
- #50 ANSI CHAIN, 20:1 GEARBOX
- DIRECT DRIVE RING & PINION BEARING
- 4 HEAVY DUTY SWIVEL CASTERS
- 0-15RPM
- 3/4HP AC MOTOR & DELTA 1HP VFD DRIVE
- #50 ANSI CHAIN, 60:1 GEARBOX
- HURRICANE THREAD® PRESTRETCH CARRIAGE
- 200% FACTORY SET PRESTRETCH
- 50-250% STRETCH AVAILABLE ON REQUEST
- 20" MACHINE FILM, 3" CORE
- 115VAC, 15A, 60Hz- PLUG AND PLAY

### SAFETY

- FULLY GUARDED TOWER & MOVING PARTS
- NO PINCH: CARRIAGE DE-ENERGIZED WHEN DOOR OPEN
- EMERGENCY STOP BUTTON
- STANDARD WRAP CYCLE
- STANDARD W/TOP COVER PAUSE
- BOTTOM WRAPS FIRST
- WRAP UPWARDS ONLY
- HEIGHT/BASE EXTENSION
- INTEGRATED SCALE PACKAGE
- DUAL TURNTABLE (500HDT)
- SAFETY FENCING
- SAFETY LIGHT CURTAINS
- SPLIT BASE (FOR OVERSIZED LOADS)

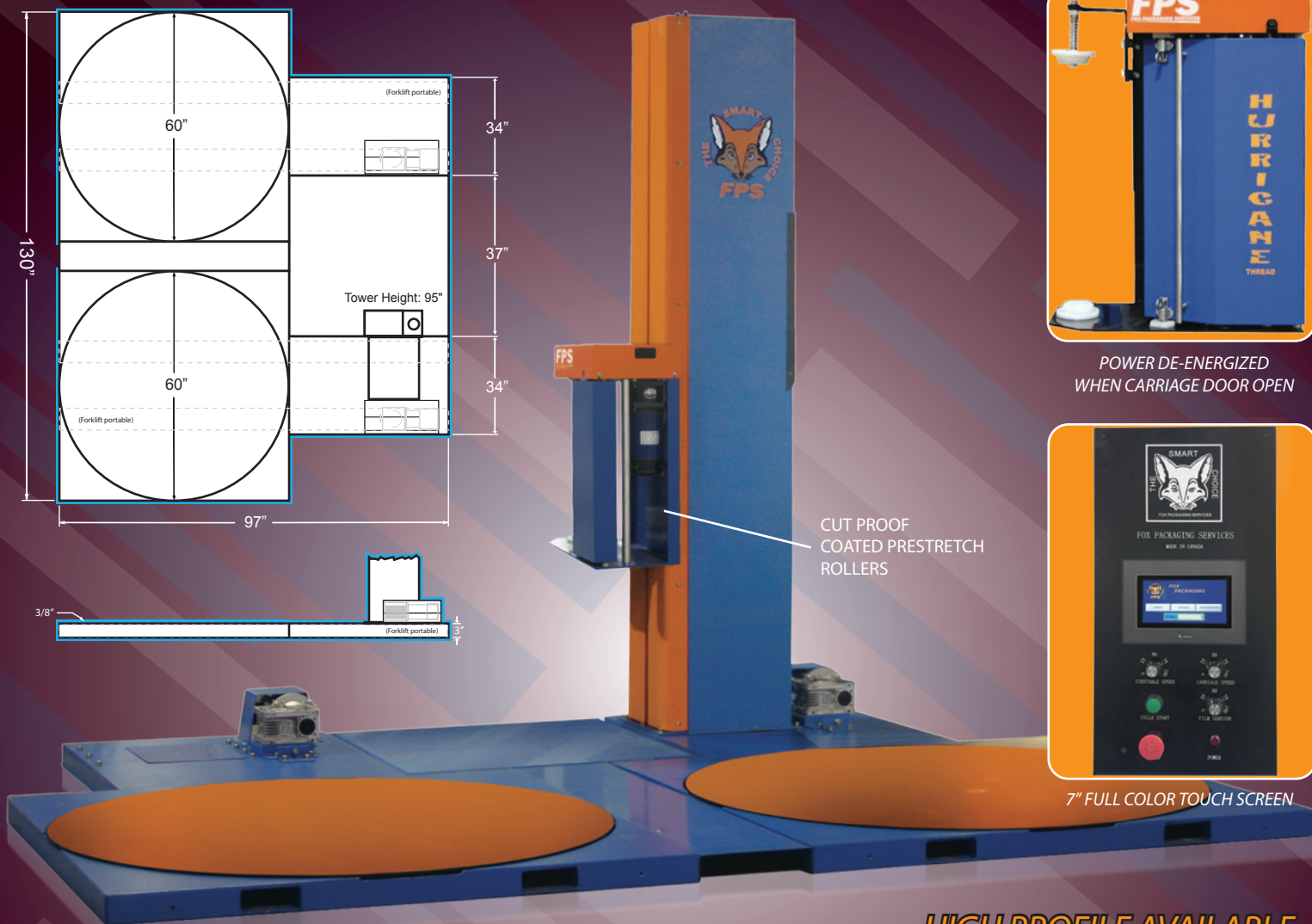
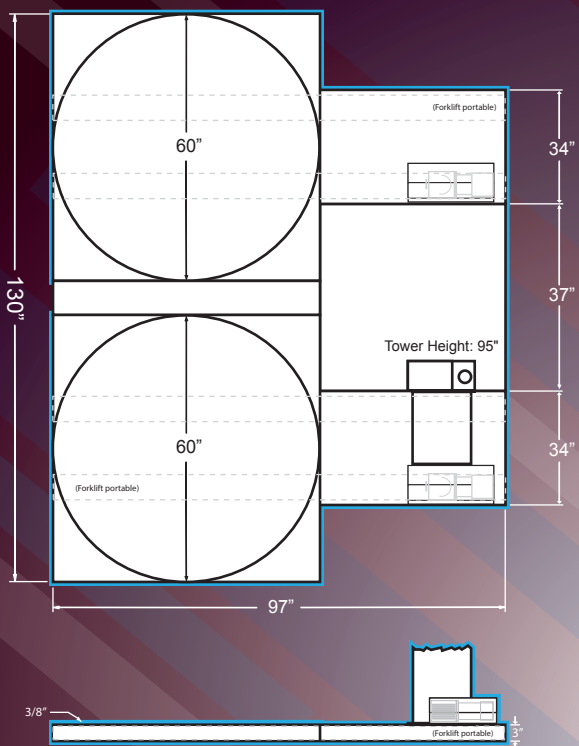
### ONBOARD PROGRAMS

### OPTIONS

\*SUGGESTED LOADS PER HOUR- May vary depending on load sizes, loading/unloading speeds and number of wraps or wrapping pauses on load.

# FPS 400LDT

DUAL TURNTABLE SEMI AUTOMATIC



POWER DE-ENERGIZED WHEN CARRIAGE DOOR OPEN



7" FULL COLOR TOUCH SCREEN

CUT PROOF COATED PRESTRETCH ROLLERS

**HIGH PROFILE AVAILABLE**  
**400HDT**

## SPECIFICATIONS:

### CONTROLS

### PRODUCTION SPEED

### LOAD SIZE

### WEIGHT CAPACITY

### STRUCTURAL

### TURNTABLE DRIVE

### TURNTABLE SPEED

### CARRIAGE DRIVE

### FILM DELIVERY

### FILM ROLL

### POWER REQ.

•FULL COLOR 7" PLC TOUCH SCREEN

•1-40 LPH\*

•55"L x 55"W x 90"H (80" Diagonal)

•5000LBS OR **UPGRADE TO 6500LBS**

•FULL SKIRT WELDED STEEL CONSTRUCTION

•3/4HP AC MOTOR & DELTA 1HP VFD DRIVE

•#50 ANSI CHAIN, 20:1 GEARBOX

•40 TABLE SUPPORT WHEELS

•0-15RPM

•3/4HP AC MOTOR & DELTA 1HP VFD DRIVE

•#50 ANSI CHAIN, 60:1 GEARBOX

•HURRICANE THREAD® PRESTRETCH CARRIAGE

•200% FACTORY SET PRESTRETCH

•50-250% STRETCH AVAILABLE ON REQUEST

•20" MACHINE FILM, 3" CORE

•115VAC, 15A, 60Hz- PLUG AND PLAY

### SAFETY

### ONBOARD PROGRAMS

### OPTIONS

•FULLY GUARDED TOWER & MOVING PARTS

•NO PINCH: CARRIAGE DE-ENERGIZED WHEN DOOR OPEN

•EMERGENCY STOP BUTTON

•STANDARD WRAP CYCLE

•STANDARD W/TOP COVER PAUSE

•BOTTOM WRAPS FIRST

•WRAP UPWARDS ONLY

•HEIGHT/BASE EXTENSION

•LOADING RAMP

•HEAVY DUTY EXTENDED RAMP (For powered hand trucks)

•INTEGRATED SCALE PACKAGE

•SAFETY FENCING

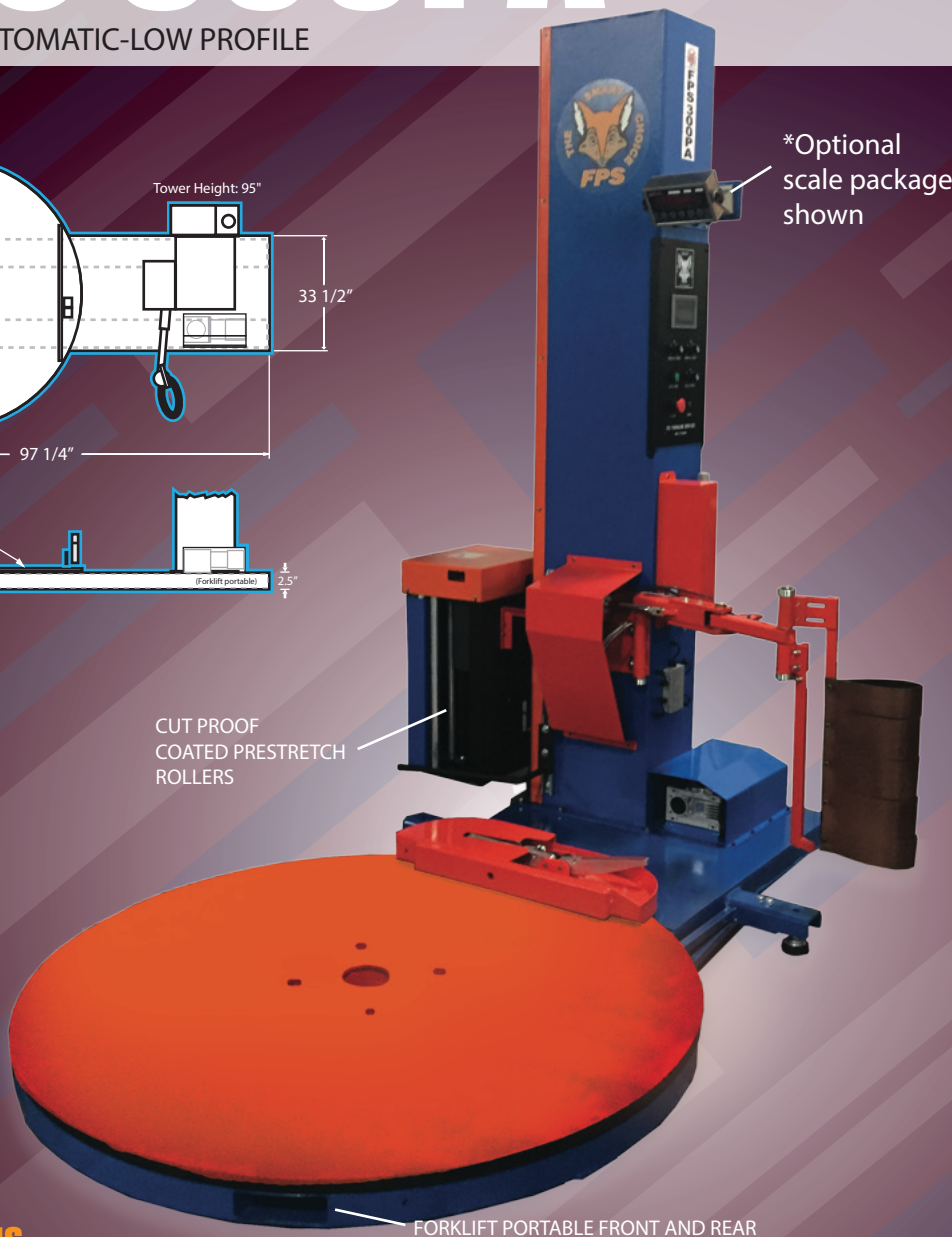
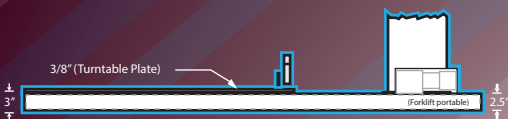
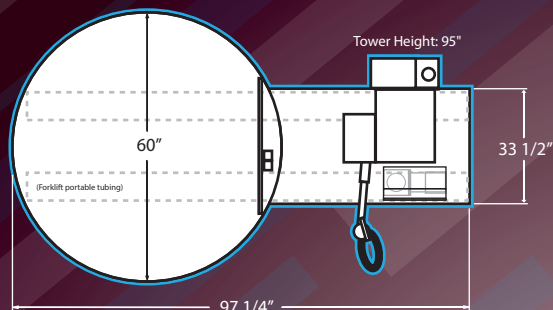
•SAFETY LIGHT CURTAINS

\*SUGGESTED LOADS PER HOUR- May vary depending on load sizes, loading/unloading speeds and number of wraps or wrapping pauses on load.

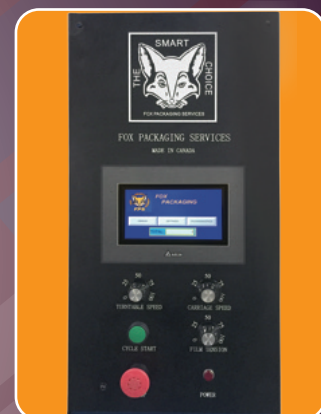


# FPS 300PA

PORTABLE AUTOMATIC-LOW PROFILE



POWER DE-ENERGIZED  
WHEN CARRIAGE DOOR OPEN



7" FULL COLOR TOUCH SCREEN

## SPECIFICATIONS:

**CONTROLS**  
**PRODUCTION SPEED**  
**LOAD SIZE**  
**WEIGHT CAPACITY**  
**STRUCTURAL**  
**TURNTABLE DRIVE**  
  
**TURNTABLE SPEED**  
**CARRIAGE DRIVE**  
  
**FILM DELIVERY**  
  
**FILM ROLL**  
**POWER REQ.**

- FULL COLOR 7" PLC TOUCH SCREEN CONTROLS
- 1-40 LPH\*
- 55"L x 55"W x 90"H (80" Diagonal)
- 5000LBS
- WELDED STEEL CONSTRUCTION
- 3/4HP AC MOTOR & DELTA 1HP VFD DRIVE
- #50 ANSI CHAIN, 20:1 GEARBOX
- 36 TABLE SUPPORT WHEELS
- 0-15RPM
- 3/4HP AC MOTOR & DELTA 1HP VFD DRIVE
- #50 ANSI CHAIN, 60:1 GEARBOX
- HURRICANE THREAD® PRESTRETCH CARRIAGE
- 200% FACTORY SET PRESTRETCH
- 50-250% STRETCH AVAILABLE ON REQUEST
- 20" MACHINE FILM, 3" CORE
- 115VAC, 15A, 60Hz- PLUG AND PLAY

### SAFETY

- SAFEGUARD FULLY GUARDED TOWER & MOVING PARTS
- NO PINCH: CARRIAGE DE-ENERGIZED WHEN DOOR OPEN
- EMERGENCY STOP BUTTON
- STANDARD WRAP CYCLE
- STANDARD W/TOP COVER PAUSE
- BOTTOM WRAPS FIRST
- WRAP UPWARDS ONLY
- HEIGHT/BASE EXTENSION
- LOADING RAMP
- COMBINATION RAMP (For powered hand trucks)
- INTEGRATED SCALE PACKAGE
- SAFETY FENCING
- SAFETY LIGHT CURTAINS

### ONBOARD PROGRAMS

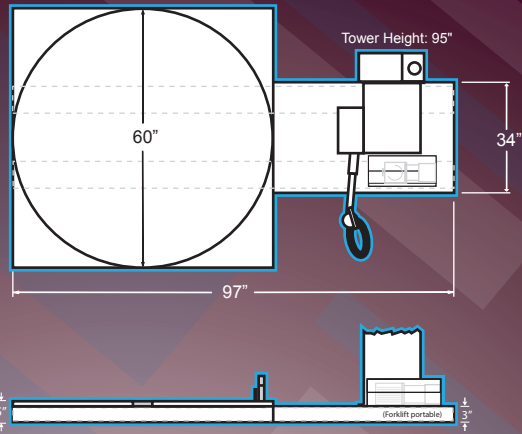
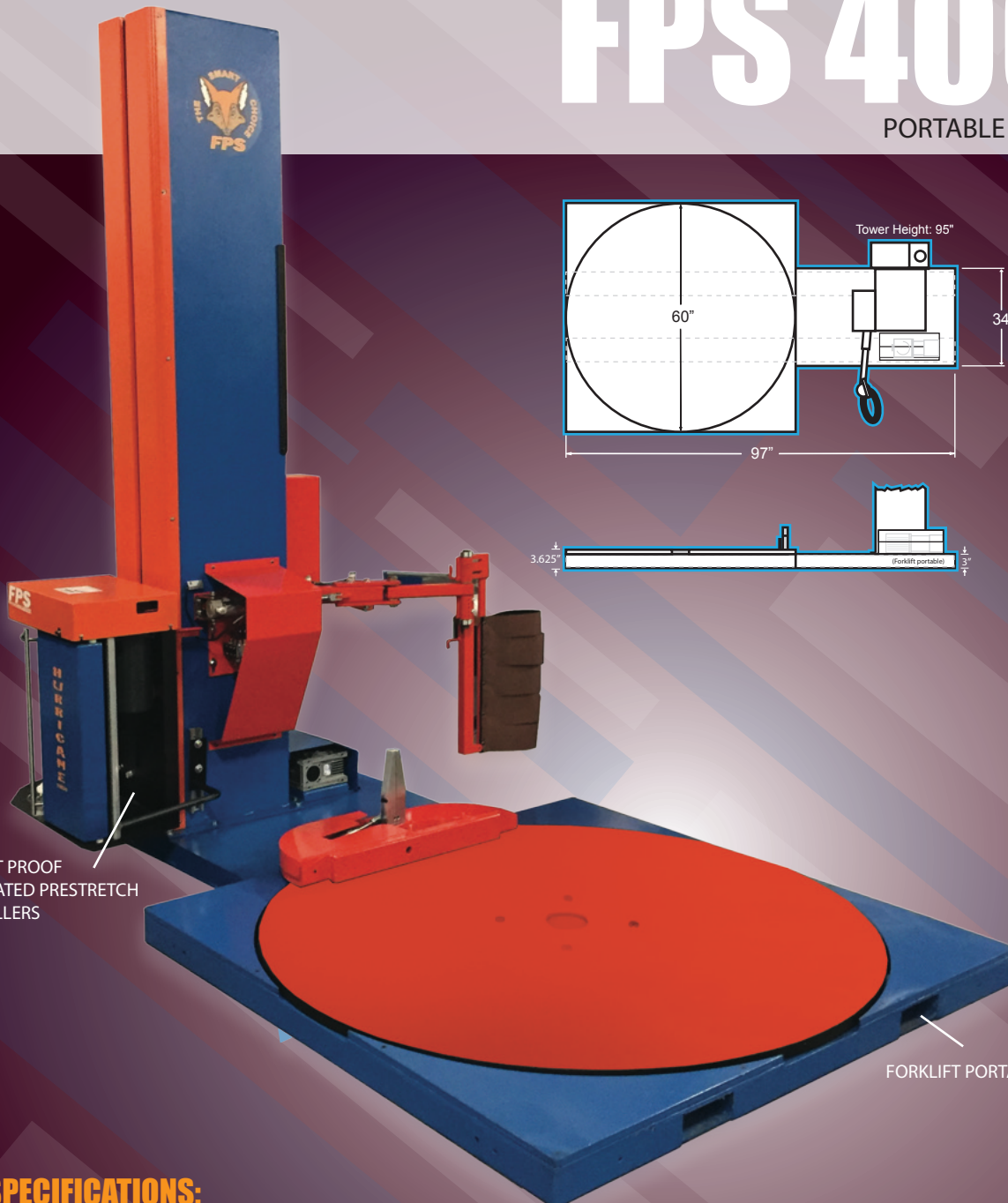
### OPTIONS

\*SUGGESTED LOADS PER HOUR- May vary depending on load sizes, loading/unloading speeds and number of wraps or wrapping pauses on load.



# FPS 400LPA

PORTABLE AUTOMATIC-LOW PROFILE



POWER DE-ENERGIZED  
WHEN CARRIAGE DOOR OPEN



7" FULL COLOR TOUCH SCREEN

FORKLIFT PORTABLE FRONT AND REAR

## SPECIFICATIONS:

### CONTROLS

- FULL COLOR 7" PLC TOUCH SCREEN
- REMOTE CONTROL START

### PRODUCTION SPEED

- 1-40 LPH\*

### LOAD SIZE

- 55"L x 55"W x 90"H (80" Diagonal)

### WEIGHT CAPACITY

- 5000LBS OR **UPGRADE TO 6500LBS**

### STRUCTURAL

- FULL SKIRT WELDED STEEL CONSTRUCTION

### TURNTABLE DRIVE

- 3/4HP AC MOTOR & DELTA 1HP VFD DRIVE
- #50 ANSI CHAIN, 20:1 GEARBOX
- 40 TABLE SUPPORT WHEELS

### TURNTABLE SPEED

- 0-15RPM

### CARRIAGE DRIVE

- 3/4HP AC MOTOR & DELTA 1HP VFD DRIVE
- #50 ANSI CHAIN, 60:1 GEARBOX

### FILM DELIVERY

- HURRICANE THREAD® PRESTRETCH CARRIAGE
- 200% FACTORY SET PRESTRETCH
- 50-250% STRETCH AVAILABLE ON REQUEST

### FILM ROLL

- 20" MACHINE FILM, 3" CORE

### POWER REQ.

- 115VAC, 15A, 60Hz- PLUG AND PLAY

### SAFETY

- FULLY GUARDED TOWER & MOVING PARTS
- NO PINCH: CARRIAGE DE-ENERGIZED WHEN DOOR OPEN
- EMERGENCY STOP BUTTON

### ONBOARD PROGRAMS

- STANDARD WRAP CYCLE
- STANDARD W/TOP COVER PAUSE
- BOTTOM WRAPS FIRST
- WRAP UPWARDS ONLY

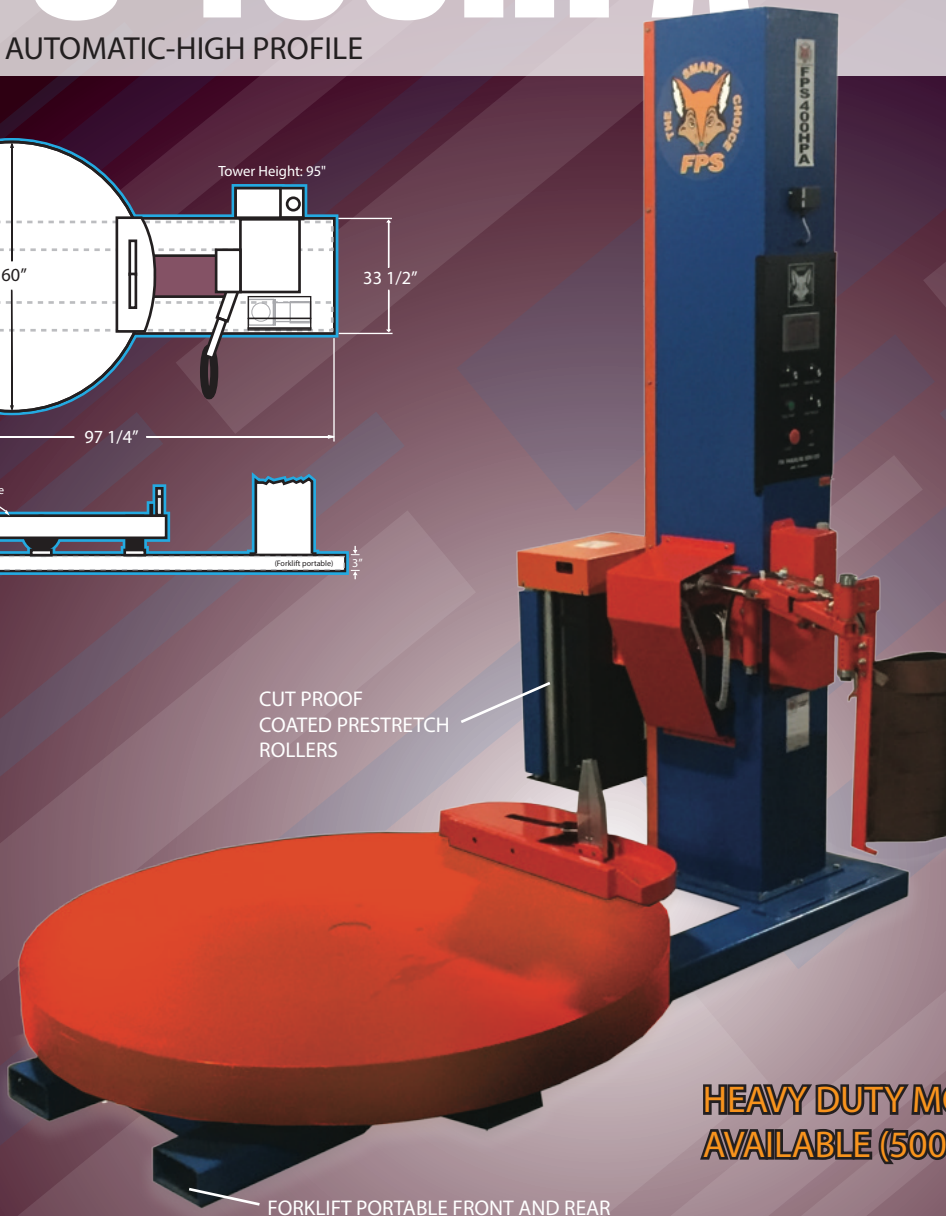
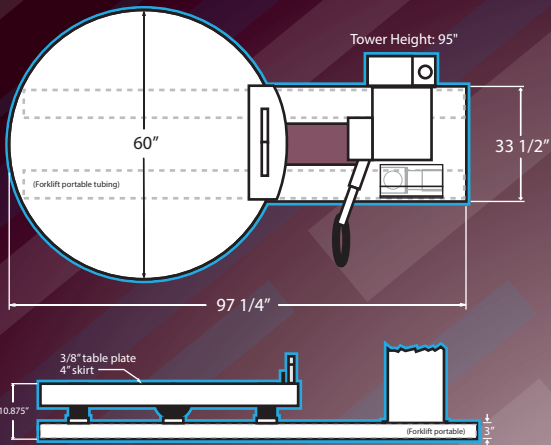
### OPTIONS

- HEIGHT/BASE EXTENSION
- LOADING RAMP
- HEAVY DUTY EXTENDED RAMP (For powered hand trucks)
- INTEGRATED SCALE PACKAGE
- SAFETY FENCING
- SAFETY LIGHT CURTAINS

\*SUGGESTED LOADS PER HOUR- May vary depending on load sizes, loading/unloading speeds and number of wraps or wrapping pauses on load.

# FPS 400HPA

PORTABLE AUTOMATIC-HIGH PROFILE



POWER DE-ENERGIZED  
WHEN CARRIAGE DOOR OPEN



7" FULL COLOR TOUCH SCREEN

**HEAVY DUTY MODEL  
AVAILABLE (500HPA)**

FORKLIFT PORTABLE FRONT AND REAR

## SPECIFICATIONS:

### CONTROLS

- FULL COLOR 7" PLC TOUCH SCREEN
- REMOTE CONTROL START

### PRODUCTION SPEED

- 1-55 LPH\*

### LOAD SIZE

- 55"L x 55"W x 82"H (80" Diagonal)

### WEIGHT CAPACITY

- 5000LBS OR **UPGRADE TO 8000LBS** (500HPA)

### STRUCTURAL

- WELDED STEEL CONSTRUCTION

### TURNTABLE DRIVE

- 3/4HP AC MOTOR & DELTA 1HP VFD DRIVE
- #50 ANSI CHAIN, 20:1 GEARBOX
- DIRECT DRIVE RING & PINION BEARING
- 4 HEAVY DUTY CASTERS

### TURNTABLE SPEED

- 0-15RPM

### CARRIAGE DRIVE

- 3/4HP AC MOTOR & DELTA 1HP VFD DRIVE
- #50 ANSI CHAIN, 60:1 GEARBOX

### FILM DELIVERY

- HURRICANE THREAD<sup>®</sup> PRESTRETCH CARRIAGE
- 200% FACTORY SET PRESTRETCH
- 50-250% STRETCH AVAILABLE ON REQUEST

### FILM ROLL

- 20" MACHINE FILM, 3" CORE

### POWER REQ.

- 115VAC, 15A, 60Hz- PLUG AND PLAY

### SAFETY

- FULLY GUARDED TOWER & MOVING PARTS
- NO PINCH: CARRIAGE DE-ENERGIZED WHEN DOOR OPEN
- EMERGENCY STOP BUTTON

### ONBOARD PROGRAMS

- STANDARD WRAP CYCLE
- STANDARD W/TOP COVER PAUSE
- BOTTOM WRAPS FIRST
- WRAP UPWARDS ONLY

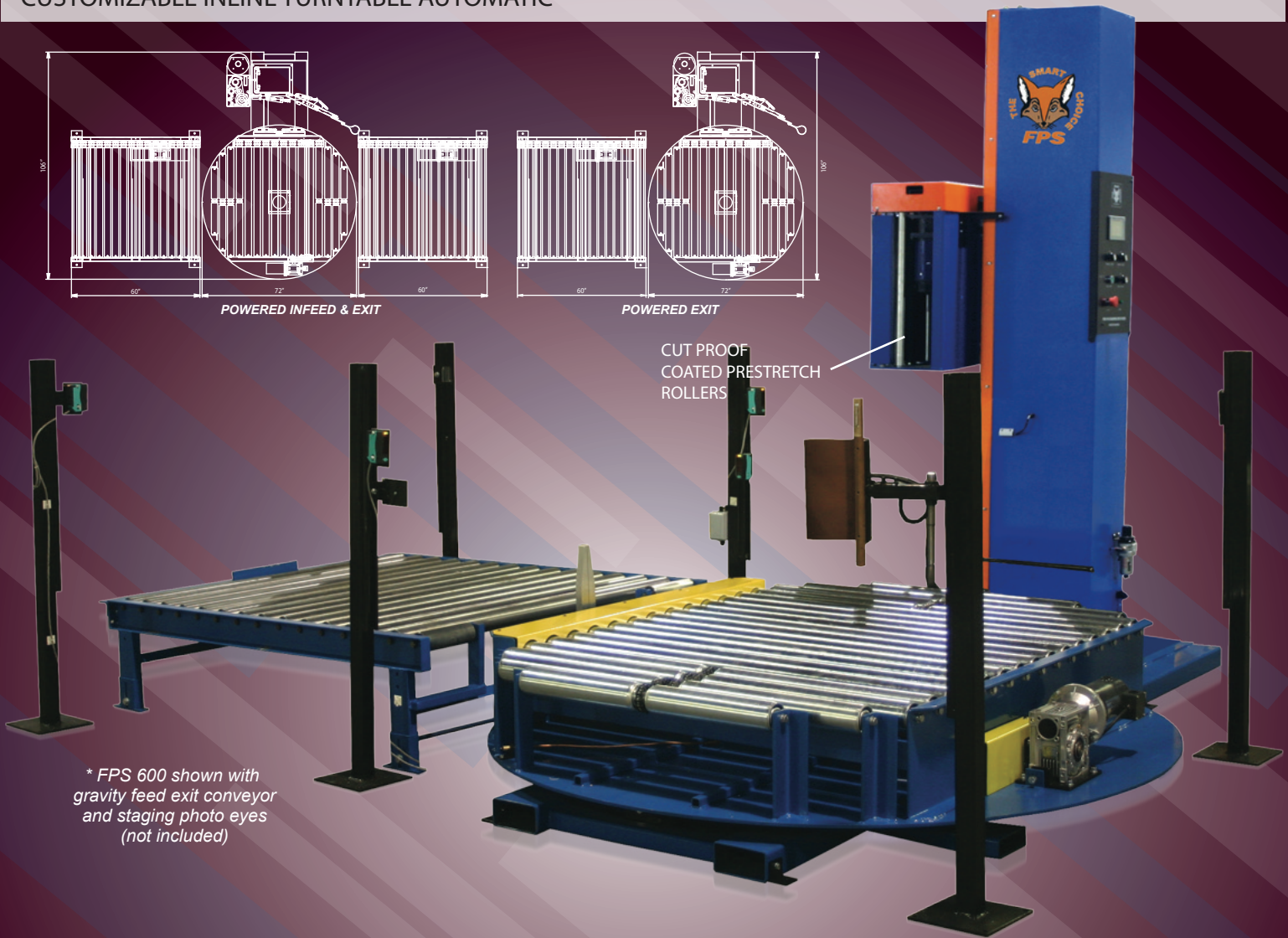
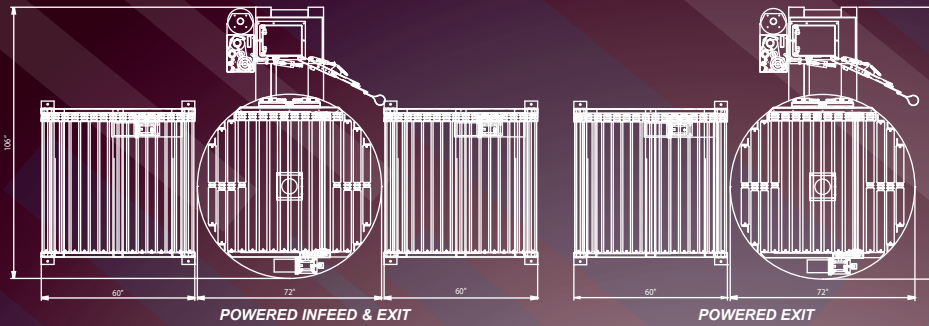
### OPTIONS

- HEIGHT/BASE EXTENSION
- INTEGRATED SCALE PACKAGE
- SAFETY FENCING
- SAFETY LIGHT CURTAINS



# FPS 600

CUSTOMIZABLE INLINE TURNTABLE AUTOMATIC



\* FPS 600 shown with gravity feed exit conveyor and staging photo eyes (not included)

## SPECIFICATIONS:

### CONTROLS

- FULL COLOR 7" PLC TOUCH SCREEN

### PRODUCTION SPEED

- 1-40 LPH\*

### LOAD SIZE

- BASED ON CUSTOMER REQUIREMENT

### WEIGHT CAPACITY

- **8000LBS**

### STRUCTURAL

- FULL SKIRT WELDED STEEL CONSTRUCTION

### TURNTABLE DRIVE

- 1HP AC MOTOR & DELTA 1HP VFD DRIVE
- DIRECT GEAR DRIVE RING AND PINION
- 4 HEAVY DUTY CASTERS

### TURNTABLE SPEED

- 0-15RPM

### CARRIAGE DRIVE

- 3/4HP AC MOTOR & DELTA 1HP VFD DRIVE
- #50 ANSI CHAIN, 60:1 GEARBOX

### FILM DELIVERY

- HURRICANE THREAD® PRESTRETCH CARRIAGE
- 200% FACTORY SET PRESTRETCH
- 50-250% STRETCH AVAILABLE ON REQUEST

### FILM ROLL

- 20" MACHINE FILM, 3" CORE

### POWER REQ.

- BASED ON CUSTOMER REQUIREMENTS

### AIR REQ. SAFETY

- 80 P.S.I. @ 3 CFM
- FULLY GUARDED TOWER & MOVING PARTS
- NO PINCH: CARRIAGE DE-ENERGIZED WHEN DOOR OPEN
- EMERGENCY STOP BUTTON

### ONBOARD PROGRAMS

- STANDARD WRAP CYCLE
- STANDARD W/TOP COVER PAUSE
- BOTTOM WRAPS FIRST
- WRAP UPWARDS ONLY

### OPTIONS

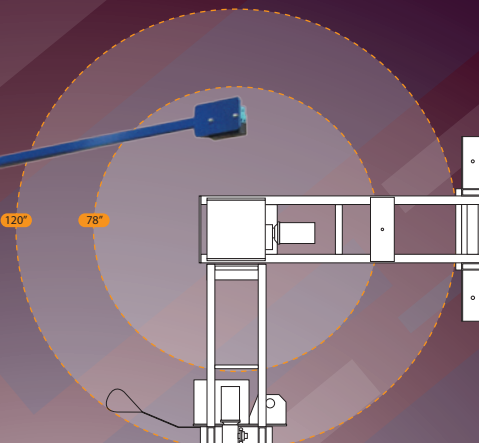
- HEIGHT/BASE EXTENSION
- INTEGRATED SCALE PACKAGE
- GRAVITY OR POWERED INFEED-EXIT CONVEYORS
- SAFETY FENCING
- SAFETY LIGHT CURTAINS

\*SUGGESTED LOADS PER HOUR- May vary depending on load sizes, loading/unloading speeds and number of wraps or wrapping pauses on load.



# FPS 800

SEMI-AUTOMATIC ROTARY ARM



STANDARD HEIGHT: 108"



FPS 800 FREESTAND



FPS 800 4 LEG GANTRY (3 LEG ALSO AVAILABLE)

## SPECIFICATIONS:

**CONTROLS**  
**PRODUCTION SPEED**  
**LOAD SIZE**  
**WEIGHT CAPACITY**  
**STRUCTURAL**  
**ARM DRIVE**

- FULL COLOR 7" PLC TOUCH SCREEN
- 1-40 LPH\*
- 55"L x 55"W x 82"H (80" Diagonal)
- UNLIMITED
- WELDED STEEL TUBE CONSTRUCTION
- 3/4HP AC MOTOR & DELTA 1HP VFD DRIVE
- 20:1 GEARBOX
- DIRECT GEAR DRIVE RING & PINION

**POWER REQ.**  
**SAFETY**

- 115VAC, 15A, 60Hz- PLUG AND PLAY
- NO PINCH: CARRIAGE DE-ENERGIZED WHEN DOOR OPEN
- EMERGENCY STOP BUTTON

**ARM SPEED**  
**CARRIAGE DRIVE**

- 0-15RPM
- 3/4HP AC MOTOR & DELTA 1HP VFD DRIVE
- #50 ANSI CHAIN, 60:1 GEARBOX

**ONBOARD PROGRAMS**

- STANDARD WRAP CYCLE
- STANDARD W/TOP COVER PAUSE
- BOTTOM WRAPS FIRST
- WRAP UPWARDS ONLY

**FILM DELIVERY**

- HURRICANE THREAD® PRESTRETCH CARRIAGE
- 200% FACTORY SET PRESTRETCH
- 50-250% STRETCH AVAILABLE ON REQUEST

**OPTIONS**

- HEIGHT/ARM EXTENSION
- WALL MOUNT, FREE STAND, 3 OR 4 LEG GANTRY
- SAFETY LIGHT CURTAINS
- SAFETY FENCING

**FILM ROLL**

- 20" MACHINE FILM, 3" CORE

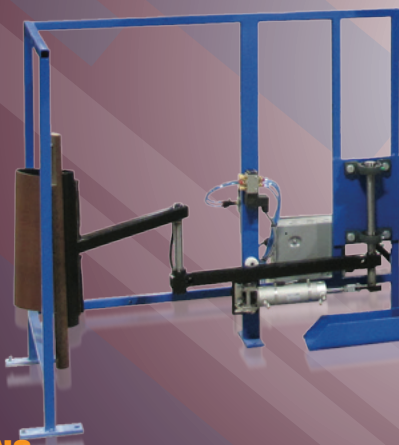
\*SUGGESTED LOADS PER HOUR- May vary depending on load sizes, loading/unloading speeds and number of wraps or wrapping pauses on load.

# FPS 800PA

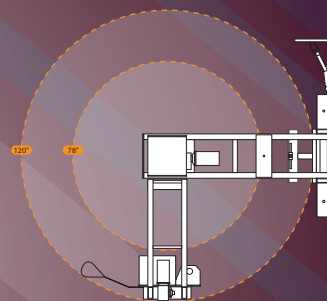
PORTABLE AUTOMATIC ROTARY ARM



FPS 800PA 4 LEG GANTRY (3 LEG ALSO AVAILABLE)



KEYPAD TOUCH CONTROLS



STANDARD HEIGHT: 108"

CUT PROOF COATED PRESTRETCH ROLLERS

## SPECIFICATIONS:

### CONTROLS

### PRODUCTION SPEED

### LOAD SIZE

### WEIGHT CAPACITY

### STRUCTURAL

### ARM DRIVE

### ARM SPEED

### CARRIAGE DRIVE

### FILM DELIVERY

### FILM ROLL

### POWER REQ.

• FULL COLOR 7" PLC TOUCH SCREEN

• 1-40 LPH\*

• 48"L x 48"W x 71"H (68" DIAGONAL)

• UNLIMITED

• WELDED STEEL TUBE CONSTRUCTION

• 1HP AC MOTOR & DELTA 1HP VFD DRIVE

• DIRECT GEAR DRIVE RING AND PINION

• 0-15RPM

• 3/4HP AC MOTOR & DELTA 1HP VFD DRIVE

• #50 ANSI CHAIN, 60:1 GEARBOX

• HURRICANE THREAD® PRESTRETCH CARRIAGE

• 200% FACTORY SET PRESTRETCH

• 50-250% STRETCH AVAILABLE ON REQUEST

• 20" MACHINE FILM, 3" CORE

• BASED ON CUSTOMER REQUIREMENTS

### AIR REQ.

### SAFETY

### ONBOARD PROGRAMS

### OPTIONS

• 80 P.S.I. @ 3 CFM

• NO PINCH: CARRIAGE DE-ENERGIZED WHEN DOOR OPEN

• EMERGENCY STOP BUTTON

• STANDARD WRAP CYCLE

• STANDARD W/TOP COVER PAUSE

• BOTTOM WRAPS FIRST

• WRAP UPWARDS ONLY

• HEIGHT/ARM EXTENSION

• WALL MOUNT, FREE STAND, 3 OR 4 LEG GANTRY

• SAFETY LIGHT CURTAINS

• SAFETY FENCING

\*SUGGESTED LOADS PER HOUR- May vary depending on load sizes, loading/unloading speeds and number of wraps or wrapping pauses on load.



# FPS 800RTA

INLINE FULLY AUTOMATIC ROTARY ARM



CUT PROOF  
COATED PRESTRETCH  
ROLLERS

## SPECIFICATIONS:

### CONTROLS

•FULL COLOR 7" PLC TOUCH SCREEN

### PRODUCTION SPEED

•1-60 LPH\*

### LOAD SIZE

•48"L x 48"W x 71"H (68" DIAGONAL)

### WEIGHT CAPACITY

•BASED ON CONVEYOR CAPACITY

### STRUCTURAL

•WELDED STEEL TUBE CONSTRUCTION

### ARM DRIVE

•1HP AC MOTOR & DELTA 1HP VFD DRIVE

•DIRECT GEAR DRIVE RING AND PINION

### ARM SPEED

•0-15RPM

### CARRIAGE DRIVE

•3/4HP AC MOTOR & DELTA 1HP VFD DRIVE

•#50 ANSI CHAIN, 60:1 GEARBOX

### FILM DELIVERY

•HURRICANE THREAD® PRESTRETCH CARRIAGE

•200% FACTORY SET PRESTRETCH

•50-250% STRETCH AVAILABLE ON REQUEST

### FILM ROLL

•20" MACHINE FILM, 3" CORE

### POWER REQ.

•BASED ON CUSTOMER REQUIREMENTS

### AIR REQ.

•80 P.S.I.@ 3 CFM

### SAFETY

•NO PINCH: CARRIAGE DE-ENERGIZED WHEN DOOR OPEN

•EMERGENCY STOP BUTTON

### ONBOARD PROGRAMS

•STANDARD WRAP CYCLE

•STANDARD W/TOP COVER PAUSE

•BOTTOM WRAPS FIRST

•WRAP UPWARDS ONLY

### OPTIONS

•HEIGHT/ARM EXTENSION

•WALL MOUNT, FREE STAND,

3 OR 4 LEG GANTRY

•SAFETY LIGHT CURTAINS

•SAFETY FENCING

•GRAVITY/POWERED INFEED/

EXIT CONVEYORS



# FPS FT ORBITAL

AUTOMATIC FORKLIFT ORBITAL



## SPECIFICATIONS:

### CONTROLS

- FULL COLOR 7" PLC TOUCH SCREEN
- REMOTE CONTROL START

### PRODUCTION SPEED

- 1-20 LPH\*

### LOAD SIZE

- 48"L x 48"W x 53"H (80" Diagonal)

### WEIGHT CAPACITY

- WEIGHT BASED ON FORKLIFT CAPACITY

### STRUCTURAL

- WELDED STEEL CONSTRUCTION

### RING DRIVE

- 1HP AC MOTOR & DELTA 1HP VFD DRIVE
- 20:1 GEARBOX

### RING SPEED

- 0-15RPM

### CARRIAGE DRIVE

- 1/4HP DC MOTOR & DELTA 1HP VFD DRIVE
- #35 ANSI CHAIN, 60:1 GEARBOX

### FILM DELIVERY

- FRICTION CARRIAGE

### FILM ROLL

- 20" MACHINE FILM, 3" CORE

### POWER REQ.

- 115VAC, 15A, 60Hz- PLUG AND PLAY

### SAFETY

- SAFETY DOOR INTERLOCK
- EMERGENCY STOP BUTTON

### ONBOARD PROGRAMS

- RING SPEED CONTROL
- CARRIAGE SPEED CONTROL

### OPTIONS

- SAFETY LIGHT CURTAINS
- SAFETY FENCING



# ORBITAL



## FPS 1000 MANUAL

- Ring sizes 10"-106"
- Foot Pedal Operated
- Friction Carriage
- Manual Film Cutter

## FPS 2000 SEMI-AUTOMATIC

- PLC Touch Screen Control
- Foot Pedal Activated
- Ring Size 10"-106"
- Precision Steel Ring
- Automatic Film Clamp & Cut

## FPS 3000 FULLY AUTOMATIC

- PLC Touch Screen Control
- Ring Size 10"-106"
- Precision Steel Ring
- Automatic Carriage Home Position
- Automatic Product Indexing
- Automatic Film Clamp & Cut
- Pre-Stretch Carriage Optional



Visit us online:  
[www.foxpkg.com](http://www.foxpkg.com)

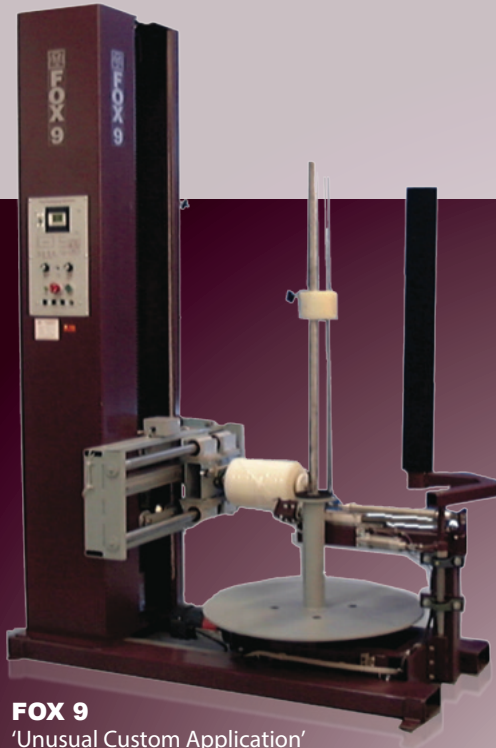
**CUSTOMIZABLE  
TO FIT ANY  
APPLICATION**





# CUSTOM

WE CAN BUILD A MACHINE TO WRAP ANYTHING!



## FOX 9

'Unusual Custom Application'

- Wraps stacks of unstable computer chair legs
- Automatic Film Apply & Cut
- Film carriage moves both vertically & horizontally



## FOX R326-BB BEARING BANDER

'Unique Engineering'

- Servo Controlled
- Vertical Rollers rotate bearings during wrap cycle
- Programmable for 5"-15" bearings



## FOX ROBOT BANDER

'Distinctive Design'

WATCH VIDEO CLIPS OF THESE MACHINES ON OUR WEBSITE!

[www.foxpkg.com](http://www.foxpkg.com)

## TOP PLATEN

TOP PLATENS SECURE UNSTABLE LOADS

WRAP:

SHUTTERS, DIVIDERS, OFFICE PANELS  
WINDOWS & DOORS ETC.  
LIGHT OR UNSTABLE LOADS



\*COLORS MAY NOT BE AS SHOWN

## AGENTS:

### JIM PETRUZZI

THE MILL AGENT GROUP  
551 ROOSEVELT RD. #241  
GLEN ELLYN, IL 60137  
TEL: 630-579-4200  
FAX: 630-689-9066  
E-MAIL: jim@millagentgroup.com

REPRESENTING: ILLINOIS, MICHIGAN,  
WISCONSIN

### RON DEBRECZENI

PARALLEL SALES AND MARKETING  
4005 VILLAGE RUN RD.  
WEXFORD, PA 15090  
TEL: 724-719-2909  
FAX: 724-719-2910  
E-MAIL: deb@psandm.com

REPRESENTING: OHIO, KENTUCKY, MICHIGAN  
INDIANA, W VIRGINIA, PENNSYLVANIA

### TOM HARRITY

THOMAS P. HARRITY ASSOCIATES  
103 RAINIER RD.  
PLYMOUTH MEETING, PA 19462  
TEL: 610-724-6517  
FAX: 610-940-0477  
E-MAIL: tomharrity@comcast.net

REPRESENTING: MAINE, LOWER NEW YORK STATE,  
MASSACHUSETTS, NEW JERSEY, RHODE ISLAND,  
PENNSYLVANIA

### KEN KUBECKA

KRK MARKETING INC.  
14546 GEMINI BLVD.  
WILLIS, TX 77318  
TEL: 936-890-8222  
FAX: 936-890-8333  
E-MAIL: tapehoncho@yahoo.com

REPRESENTING: TEXAS, OKLAHOMA

### DISTRIBUTOR:

FOR ANY AREAS NOT LISTED CONTACT US DIRECTLY:



FOX PACKAGING SERVICES  
20 MELFORD DR. UNITS 11-12  
SCARBOROUGH, ONTARIO M1B 2X6 CANADA  
TEL: (416) 289-3699  
FAX: (416) 289-8987 1-888-918-FOX1 (3691)  
WEB: www.foxpkg.com  
E-MAIL: sales@foxpkg.com